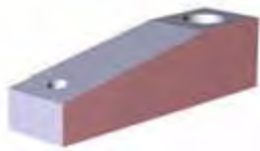


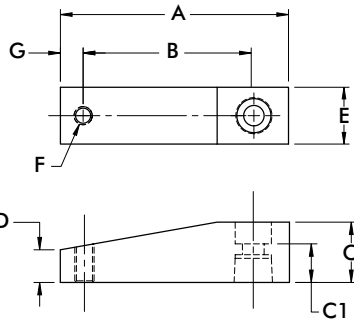
Standard Clamping Arm

Features:

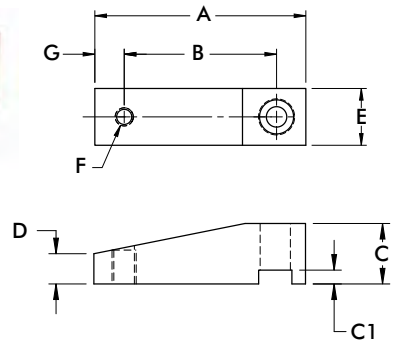
- For standard use
- Aluminum construction



Type A



Type B



Part Number	Type	Used with Model/series	A	B	C	C1	D	E	F	G	Weight [lbs] kg
8JG-215-1	A	89R20-010-2	[2.64]	[2.05]	[0.59]	[0.33]	[0.24]	[0.59]	M6	[0.28]	[0.08]
		89B20-010-1	67	52	15	8.5	6	15		7	0.04
		89E20-010-1									
8JG-217-1	A	89R32-010-2	[3.15]	[2.36]	[0.79]	[0.37]	[0.33]	[0.79]	M8	[0.39]	[0.14]
		89B30-010-1	80	60	20	9.5	8.5	20		10	0.06
		89E30-010-1									
8JG-218-1	A	89R40-010-2	[3.74]	[2.76]	[0.98]	[0.45]	[0.55]	[0.98]	M8	[0.39]	[0.28]
		89R40-025-2	95	70	25	11.5	14	25		10	0.13
		89B40-010-1									
8JG-219-1	A	89R50-025-2	[4.17]	[3.15]	[1.18]	[0.59]	[0.67]	[1.18]	M8	[0.39]	[0.42]
		89B50-025-1	106	80	30	15	17	30		10	0.19
		89E50-025-1									
8JG-220-1	A	89R63-025-2	[4.72]	[3.54]	[1.38]	[0.67]	[0.79]	[1.38]	M10	[0.47]	[0.66]
		89B63-008-1	120	90	35	17	20	35		12	0.30
		89E63-008-1									
801528	A	8015/8016	[1.74]	[1.11]	[0.37]	[0.33]	[0.25]	[0.62]	#10-32	[0.32]	[0.03]
		8115/8116	44.2	28.2	9.4	8.3	6.4	15.7		8.1	0.01
801529	A	8015/8016	[2.87]	[2.24]	[0.37]	[0.33]	[0.25]	[0.62]	#10-32	[0.32]	[0.05]
		8115/8116	72.9	56.9	9.4	8.3	6.4	15.7		8.1	0.02
821512	A	8215/8216	[2.75]	[2.00]	[0.75]	[0.57]	[0.38]	[0.75]	3/8-16	[0.38]	[0.04]
		8415/8416	69.9	50.8	19.1	14.5	9.5	19.1		9.5	0.02
		8315/8316									
821513	A	8215/8216	[3.75]	[3.00]	[0.75]	[0.57]	[0.38]	[0.75]	3/8-16	[0.38]	[0.05]
		8315/8316	95.3	76.2	19.1	14.5	9.5	19.1		9.5	0.02
841512	A	8415/8416	[2.31]	[1.56]	[0.75]	[0.57]	[0.38]	[0.75]	3/8-16	[0.38]	[0.03]
			58.7	39.7	19.1	14.5	9.5	19.1		9.5	0.01
952250	B	9522	[2.28]	[1.77]	[0.59]	[0.16]	[0.30]	[0.59]	M6	[0.20]	[0.06]
			58	45	15	4	7.5	15		5	0.03
952253	B	9522	[3.07]	[2.56]	[0.59]	[0.16]	[0.30]	[0.59]	M6	[0.20]	[0.08]
			78	65	15	4	7.5	15		5	0.04
954050	B	9530/9540	[2.76]	[1.97]	[0.79]	[0.18]	[0.39]	[0.79]	M8	[0.39]	[0.12]
			70	50	20	4.6	10	20		10	0.05
954053	B	9530/9540	[3.94]	[3.15]	[0.79]	[0.18]	[0.39]	[0.79]	M8	[0.39]	[0.18]
			100	80	20	4.6	10	20		10	0.08



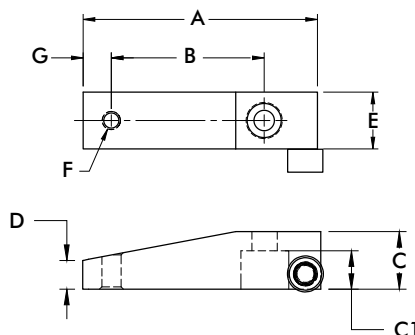
Standard Clamping Arm

Features:

- For standard use
- Aluminum construction



Type C



Part Number	Type	Used with Model/series	A	B	C	C1	D	E	F	G	Weight [lbs] kg
036-551-01	C	035-125-190	[2.38]	[1.36]	[0.63]	[0.40]	[0.31]	[0.75]	1/4-20	[0.32] 8.0	[0.10] 0.05
		035-125-290									
		035-225-190	60.5	34.5	15.9	10.2	8.0	19.1			
		035-225-290									
036-551-02	C	035-125-190	[3.38]	[2.36]	[0.63]	[0.40]	[0.31]	[0.75]	1/4-20	[0.32] 8.0	[0.13] 0.06
		035-125-290									
		035-225-190	85.9	60.0	15.9	10.2	8.0	19.1			
		035-225-290									
036-630-01	C	035-132-190	[3.10] 78.7	[2.00] 50.8	[0.75] 19.1	[0.50] 12.7	[0.38] 9.5	[0.75] 19.1	5/16-18	[0.38] 9.5	[0.15] 0.07
		035-132-290									
		035-232-190									
		035-232-290									
		035-140-190									
		035-140-290									
036-630-02	C	035-132-190	[4.73] 120.0	[3.63] 92.1	[0.75] 19.1	[0.50] 12.7	[0.38] 9.5	[0.75] 19.1	5/16-18	[0.38] 9.5	[0.21] 0.10
		035-132-290									
		035-232-190									
		035-232-290									
		035-140-190									
		035-140-290									
036-787-01	C	035-150-190	[4.00] 101.6	[2.75] 69.9	[1.00] 25.4	[0.70] 17.8	[0.50] 12.7	[1.00] 25.4	3/8-16	[0.38] 9.5	[0.33] 0.15
		035-150-290									
		035-250-190									
		035-250-290									
036-787-02	C	035-150-190	[6.36] 161.5	[5.00] 127.0	[1.00] 25.4	[0.70] 17.8	[0.50] 12.7	[1.00] 25.4	3/8-16	[0.38] 9.5	[0.49] 0.22
		035-150-290									
		035-250-190									
		035-250-290									

T-Style Clamping Arm

Features:

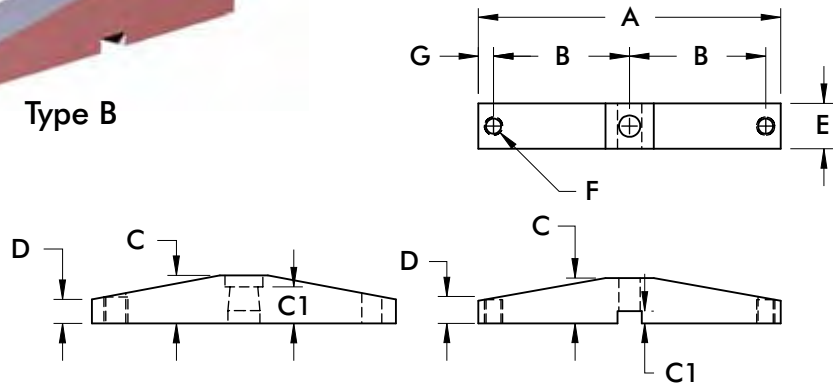
- For standard use
- Aluminum construction



Type A



Type B

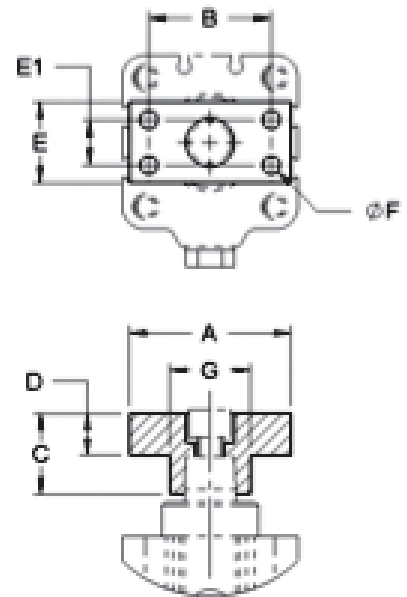
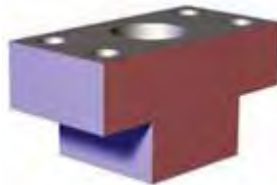
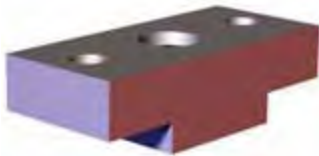


Part Number	Type	Used with Model/series	A	B	C	C1	D	E	F	G	Weight [lbs] kg
801530	A	8015/8016	[2.88]	[1.12]	[0.39]	[0.33]	[0.27]	[0.62]	#10-32	[0.32]	[0.05]
		8115/8116	73.0	28.4	9.9	8.3	6.9	15.7		8.1	0.02
801531	A	8015/8016	[5.12]	[2.25]	[0.39]	[0.33]	[0.27]	[0.62]	#10-32	[0.32]	[0.09]
		8115/8116	130.0	57.2	9.9	8.3	6.9	15.7		8.1	0.04
821554	A	8215/8216	[4.75]	[2.00]	[0.75]	[0.57]	[0.37]	[0.75]	3/8-16	[0.37]	[0.07]
		8415/8416	120.7	50.8	19.1	14.5	9.4	19.1		9.4	0.03
		8315/8316									
821555	A	8215/8216	[6.75]	[3.00]	[0.75]	[0.57]	[0.37]	[0.75]	3/8-16	[0.37]	[0.10]
		8415/8416	171.5	76.2	19.1	14.5	9.4	19.1		9.4	0.05
		8315/8316									
952254	B	9522	[3.94]	[1.77]	[0.59]	[0.16]	[0.31]	[0.59]	M6	[0.20]	[0.10]
			100.0	45.0	15.0	4.0	8.0	15.0		5.0	0.05
952255	B	9522	[5.51]	[2.56]	[0.59]	[0.16]	[0.31]	[0.59]	M6	[0.20]	[0.14]
			140.0	65.0	15.0	4.0	8.0	15.0		5.0	0.06
954054	B	9530/9540	[4.72]	[1.97]	[0.79]	[0.20]	[0.39]	[0.79]	M8	[0.39]	[0.08]
			120.0	50.0	20.0	5.0	10.0	20.0		10.0	0.04
954055	B	9530/9540	[7.09]	[3.15]	[0.79]	[0.20]	[0.39]	[0.79]	M8	[0.39]	[0.12]
			180.0	80.0	20.0	5.0	10.0	20.0		10.0	0.05

Blank Clamping Arm

Features:

- For attaching custom made clamp arms
- 360° rotatable arm
- Aluminum construction

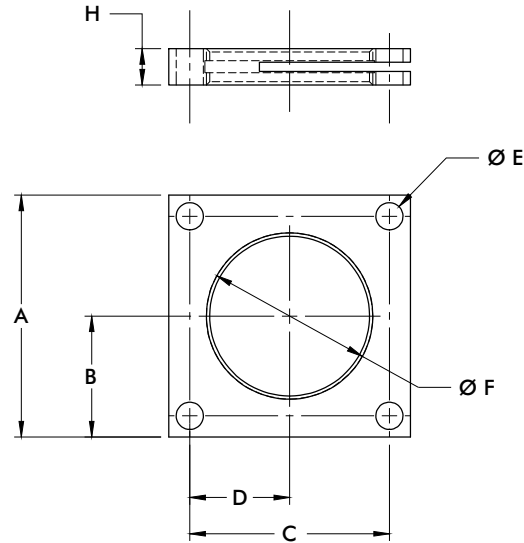


Part Number	Used with Model/series	A	B	C	D	E	E1	F	Weight [lbs] kg
8MA-084-1	89R20-010-2	[1.57]	[1.10]	[0.59]	[0.32]	[0.59]	--		[0.03]
	89B20-010-1	40	28	15	8	15			0,014
	89E20-010-1							[0.22]	
8MA-086-1	89R32-010-2		[1.38]	[0.79]	[0.43]	[0.79]	--	5,5 (2x)	[0.08]
	89B30-010-1		35	20	11	20			0,035
	89E30-010-1								
8MA-087-1	89R40-010-2	[1.97]							
	89R40-025-2	50							
	89B40-010-1		[1.50]	[0.98]	[0.51]	[0.98]	[0.55]	[0.22]	[0.11]
	89E40-010-1		38	25	13	25	14	5,5 (4x)	0,050
8MA-088-1	89R50-025-2	[2.36]	[1.77]	[1.18]	[0.59]	[1.18]	[0.59]	[0.28]	[0.19]
	89B50-025-1	60	45	30	15	30	15	7 (4x)	0,085
	89E50-025-1								
8MA-089-1	89R63-025-2	[2.56]	[1.89]	[1.38]	[0.67]	[1.38]	[0.71]	[0.35]	0.28
	89B63-008-1	65	48	35	17	35	18	9 (4x)	0,125
	89E63-008-1								
801532	8015/8016	[1.37]	[1.00]	[0.39]	[0.25]	[0.62]	--	#10-32	[0.03]
	8115/8116	34,8	25,4					(2x)	0,014
821556	8215/8216	[1.50]	[1.06]	[0.75]	[0.37]	[0.75]	--	1/4-20	[0.05]
	8315/8316	38,1	26,9					(2x)	0,020

Mounting Flanges

Features:

- For use with Threaded Body Pneumatic Swing Clamps
- Variable height adjustment
- For recessed mounting

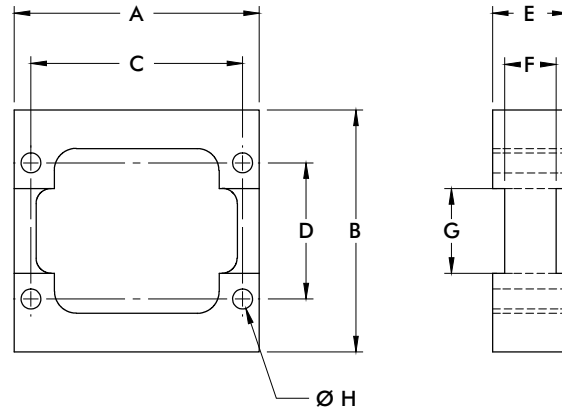


Part Number	Used with Model/series	A	B	C	D	E	F	H
8MA-219-1	89E20-010-1	[2.17] 55	[4.33] 27,5	[1.65] 42	[0.83] 21	[0.26] 6,6	M36X1,5	[0.31] 8
8MA-220-1	89E30-010-1	[2.76] 70	[1.38] 35	[2.13] 54	[1.06] 27		M42X1,5	[0.39] 10
8MA-221-1	89E40-010-1	[3.15] 80	[1.57] 40	[2.60] 66	[1.30] 33	[0.35] 9	M55X2	[0.47] 12
8MA-222-1	89E50-025-1	[3.54] 90	[1.77] 45	[2.99] 76	[1.50] 38		M68X2	[0.59] 15
8MA-223-1	89E63-008-1	[4.33] 110	[2.17] 55	[3.54] 90	[1.77] 45	[0.43] 11	M80X2	
801553	8115/8116	[1.38] 35	[0.69] 17,5	[1.08] 27,4	[0.54] 13,7	[0.20] 5,1	1 1/8-16	
821553	8215/8216	[2.50] 63,5	[1.25] 31,8	[2.12] 53,8	[1.06] 26,9	[0.28] 7,1	2 1/4-12	[0.50] 12.7
841550	8415/8416	[2.00] 50,8	[1.00] 25,4	[1.60] 40,6	[0.80] 20,3		1 3/4-12	

Body Mount Flanges

Features:

- For recessed mounting
- Variable height adjustment
- Can be used with switches
- For use with the **89R** Series Pneumatic Swing Clamps

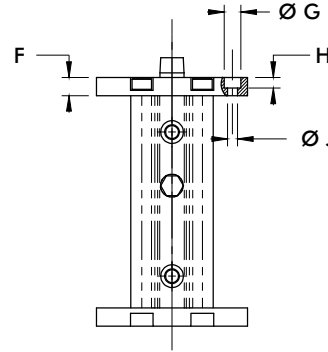
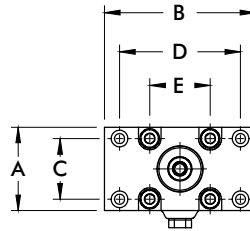


Part Number	Used with Model/series	A	B	C	D	E	F	G	H	Weight [lbs] kg
8MA-092-1	89R20-010-2	[2.24] 57	[2.17] 55	[1.85] 47	[0.94] 24	[0.59] 15	--	--	[0.28] 5,5	[0.22] 0,10
8MA-094-1	89R32-010-2	[3.19] 81	[2.95] 75	[2.55] 70	[1.57] 40	[0.79] 20	[0.47] 12	[0.98] 25	[0.26] 6,6	[0.44] 0,20
8MA-095-1	89R40-010-2		[3.15] 80		[1.77] 45	[0.98] 25	[0.67] 17	[1.10] 28		[0.55] 0,25
	89R40-025-2									
8MA-096-1	89R50-025-2	[4.00] 101,5	[3.94] 100	[3.37] 85,5	[1.97] 50			[1.46] 37	[0.35] 9	[0.88] 0,40
8MA-097-1	89R63-025-2	[4.80] 122	[4.72] 120	[4.09] 104	[2.68] 68	[1.18] 30	[0.79] 20	[0.43] 11	[0.43] 11	[1.43] 0,65

End Mount Flanges

Features:

- Can be mounted on bottom side or top side
- For use with **89R** Pneumatic Swing Clamps
- Variable height adjustment

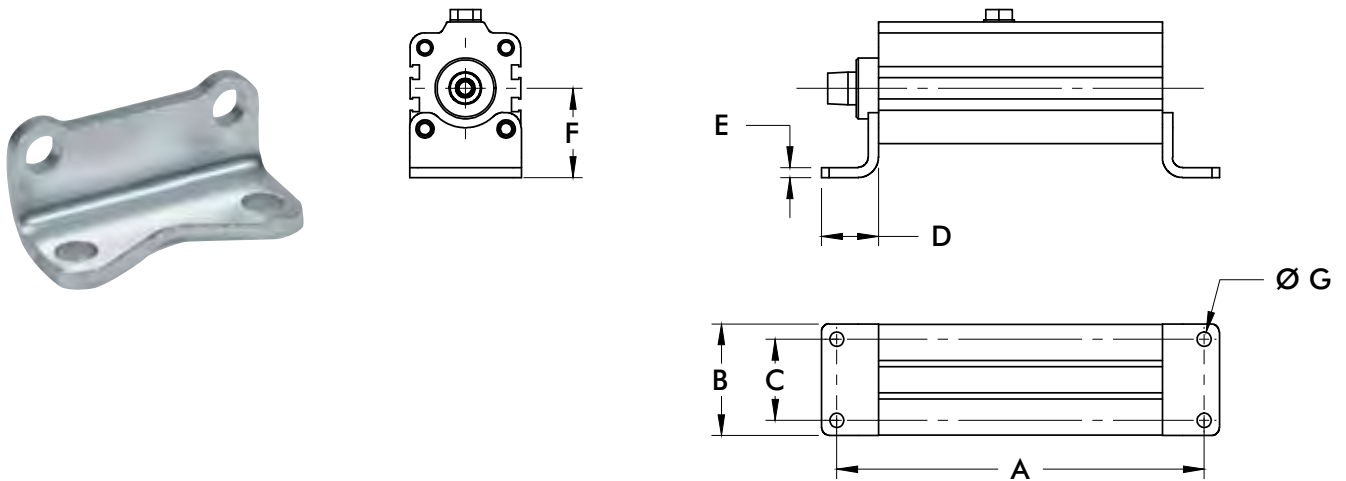


Part Number	Used with Model/series	A	B	C [±0.008] ±0,2	D [±0.008] ±0,2	E	F	G	H	J	Weight [lbs] kg
8MA-061-1	89R20-010-2	[1.26] 32	[2.56] 65	[0.71] 18	[1.97] 50	[0.87] 22	[0.39] 10				[0.07] 0,03
8MA-063-1	89R32-010-2	[1.97] 50	[3.15] 80	[1.26] 32	[2.52] 64	[1.26] 32	[0.47] 12	[0.43] 11	[0.28] 7	[0.26] 6,6	[0.20] 0,09
8MA-064-1	89R40-010-2	[2.17] 55	[3.94] 100	[1.57] 40	[3.15] 80	[1.57] 40					[0.29] 0,13
	89R40-025-2										
8MA-065-1	89R50-025-2	[2.56] 65	[4.72] 120	[1.77] 45	[3.94] 100	[1.97] 50	[0.59] 15	[0.59] 15	[0.35] 9	[0.33] 8,5	[0.46] 0,21
8MA-066-1	89R63-025-2	[3.15] 80	[5.12] 130	[2.36] 60	[4.33] 110	[2.44] 62				[0.35] 8,8	[0.66] 0,30

Mounting Feet

Features:

- Can be mounted on bottom side or front side
- Can be mounted on 4 sides of the cylinder
- For use with **89R** Series Pneumatic Swing Clamps

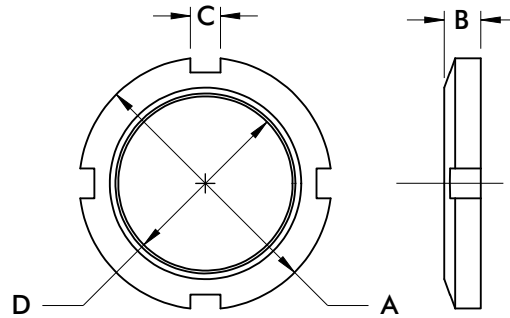


Part Number	Used with Model/series	A	B	C	D	E	F	G	Weight [lbs] kg
8MW-018-1	89R20-010-2	[5.41] 137,5	[1.38] 35	[0.87] 22	[0.87] 22	[0.16] 4	[0.63] 16		[0.08] 0,04
8MW-020-1	89R32-010-2	[6.54] 166	[1.97] 50	[1.38] 35			[0.71] 18	[0.28] 7	[0.15] 0,07
8MW-021-1	89R40-010-2	[7.13] 181	[2.17] 55	[1.57] 40	[1.10] 28	[0.20] 5			[0.22] 0,10
	89R40-025-2	[8.31] 211					[0.94] 24		
8MW-022-1	89R50-025-2	[9.39] 238,5	[2.64] 67	[1.97] 50	[1.26] 32	[0.24] 6		[0.35] 9	[0.33] 0,15
8MW-023-1	89R63-025-2	[10.37] 263,5	[3.35] 85	[2.44] 62	[1.57] 40		[1.06] 27	[0.43] 11	[0.52] 0,24

Jam Nuts

Features:

- For use with Threaded Body Pneumatic Swing Clamps
- Variable height adjustment
- For recessed mounting



Part Number	Used with Model/series	A	B	C	D	Weight [lbs] kg
051-150-160	035-125-190 035-125-290	[2.00] 50.8	[0.38] 9.7	[0.275] 7.0	1 1/2-16 UN	[0.13] 0.06
051-187-160	035-132-190 035-132-290	[2.63] 66.7	[0.38] 9.7	[0.312] 7.9	1 7/8-16 UN	[0.25] 0.11
051-225-160	035-140-190 035-140-290	[3.00] 76.2	[0.50] 12.7	[0.312] 7.9	2 1/4-16 UN	[0.40] 0.18
051-250-160	035-150-190 035-150-290	[3.25] 82.6	[0.50] 12.7	[0.312] 7.9	2 1/2-16 UN	[0.44] 0.20