

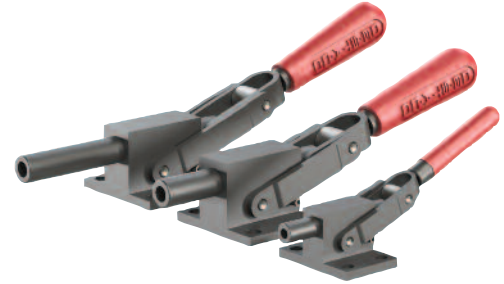
Series 5130, 5131, 5133 Product Overview

Features:

- Reverse action allows the handle to stay out of the work zone
- Hardened steel pivot pins and bushings provide long life
- Black oxide finish with hardened plungers
- DE-STA-CO® Toggle Lock Plus versions available

Applications:

- Welding fixtures
- Assembly fixtures
- Light machining



5130/-M
5131/-M
5133/-M
Flanged Base

5130-B/-MB
5131-B/-MB
5133-B/-MB
Solid Base

5130-R/-MR
5131-R/-MR
5133-R/-MR
Flanged Base
with DE-STA-CO®
Toggle Lock Plus

5130-BR[Ⓢ]/-MBR[Ⓢ]
5131-BR[Ⓢ]/-MBR[Ⓢ]
5133-BR[Ⓢ]/-MBR[Ⓢ]
Solid Base
with DE-STA-CO®
Toggle Lock Plus

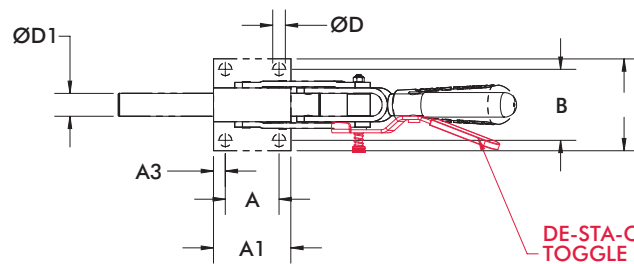
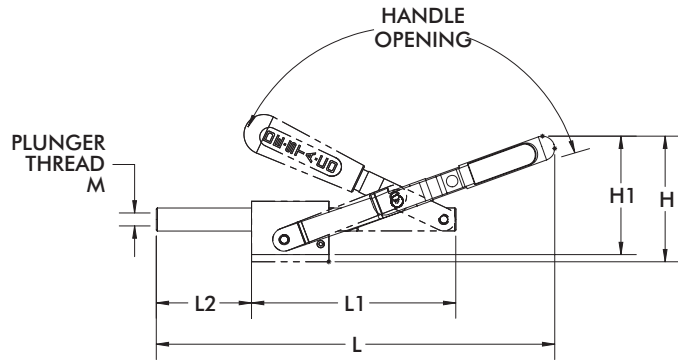
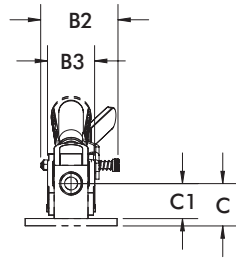


Model	Max. Holding Capacity	Weight	Plunger Travel mm[in.]	Handle Opening	Plunger Thread (M)	Recommended Spindle (not supplied)
5131	[2500lbf.] 11120N	[1.12lbs] 0,51kg	[1.00] 25,4	113°	5/16-18	461203
5131-M					M8	461203-M
5131-B		[0.85lbs] 0,39kg			5/16-18	461203
5131-MB					M8	461203-M
5131-R		[1.13lbs] 0,51kg			5/16-18	461203
5131-MR					M8	461203-M
5131-BR [Ⓢ]		[0.86lbs] 0,39kg			5/16-18	461203
5131-MBR [Ⓢ]					M8	461203-M
5130	[5800lbf.] 25800N	[2.87lbs] 1,30kg	[1.75] 44,5	125°	1/2-13	z325203
5130-M					M12	220203-M
5130-B		[2.40lbs] 1,09kg			1/2-13	325203
5130-MB					M12	220203-M
5130-R		[2.89lbs] 1,31kg			1/2-13	325203
5130-MR					M12	220203-M
5130-BR [Ⓢ]		[2.42lbs] 1,10kg			1/2-13	325203
5130-MBR [Ⓢ]					M12	220203-M
5133	[4600lbf.] 20460N	[3.12lbs] 1,41kg	[3.13] 79,5	139°	1/2-13	325203
5133-M					M12	220203-M
5133-B		[2.65lbs] 1,20kg			1/2-13	325203
5133-MB					M12	220203-M
5133-R		[3.14lbs] 1,42kg			1/2-13	325203
5133-MR					M12	220203-M
5133-BR [Ⓢ]		[2.67lbs] 1,21kg			1/2-13	325203
5133-MBR [Ⓢ]					M12	220203-M

[Ⓢ] This item is available upon request

Series 5130, 5131, 5133 Standard Clamp Dimensions

mm [INCH]
THIRD ANGLE PROJECTION



DE-STA-CO
TOGGLE LOCK
PLUS OPTION

Model	A	A1	A3	B	B1	B2	B3	C	D	D1	H	L	L1	L2
5131														
5131-M	[1.13]	[1.73]	[0.30]	[1.87]	[2.52]	--	[1.14]	[1.10]	[0.34]	[0.51]	[3.15]	[7.37]	[3.27]	[1.15]
5131-R	28,7	43,9	7,6	47,5	64,0	[1.90]	29,0	28,0	8,6	13,0	80,0	187,2	83,0	29,3
5131-MR						48,3								
5130														
5130-M						--					[3.63]	[11.11]	[5.20]	[1.96]
5130-R	[1.75]	[2.52]	[0.38]	[2.31]	[2.99]	[2.52]					92,3	282,4	132,0	49,7
5130-MR	44,5	64,0	9,7	58,7	75,9	64,0	[1.57]	[1.38]	[0.41]	[0.75]				
5133														
5133-M						--								
5133-R	[1.75]	[2.52]	[0.38]	[2.31]	[2.99]	[2.52]					[4.22]	[12.89]	[6.58]	[3.23]
5133-MR	44,5	64,0	9,65	58,7	75,9	64,0					107,2	327,3	167,0	82,2

Model	B2	B3	C1	D1	H1
5131-B					[2.91]
5131-MB	--				74,0
5131-BR ⓘ	[1.90]	29,0	[0.87]	[0.51]	[2.89]
5131-MBR ⓘ	48,3		22,1	13,0	73,5
5130-B					[3.40]
5130-MB	--				86,3
5130-BR ⓘ	[2.52]				[3.17]
5130-MBR ⓘ	64,0	[1.57]	[1.14]	[0.75]	80,5
5133-B		39,9	29,0	19,1	[3.98]
5133-MB	--				101,2
5133-BR ⓘ	[2.52]				[3.85]
5133-MBR ⓘ	64,0				97,9

ⓘ This item is available upon request

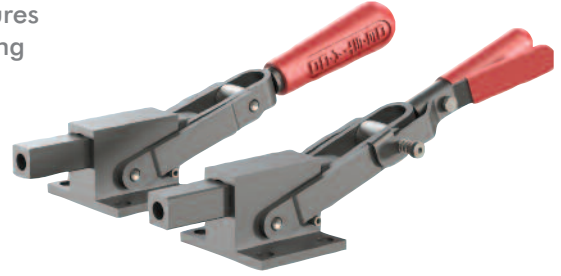
Series 5150 Product Overview

Features:

- Square plunger provides positive radial location
- Reverse action allows the handle to stay out of the work zone
- Hardened steel pivot pins and bushings provide long life
- Black oxide finish with hardened plungers
- DE-STA-CO® Toggle Lock Plus versions available

Applications:

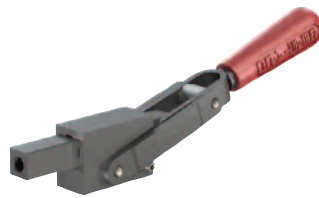
- Welding fixtures
- Assembly fixtures
- Light machining



5150/5150-M
Flanged Base



5150-B/5150-M
Solid Base



5150-R/5150-MR
Flanged Base with DE-STA-CO® Toggle Lock Plus



5150-BR[Ⓢ]/5150-MBR[Ⓢ]
Solid Base with DE-STA-CO® Toggle Lock Plus

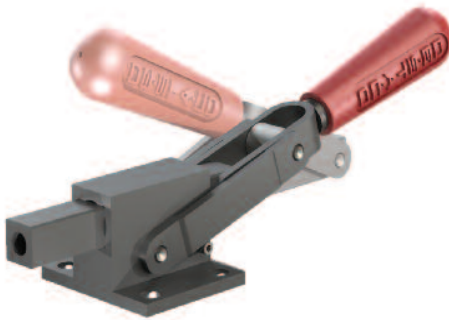
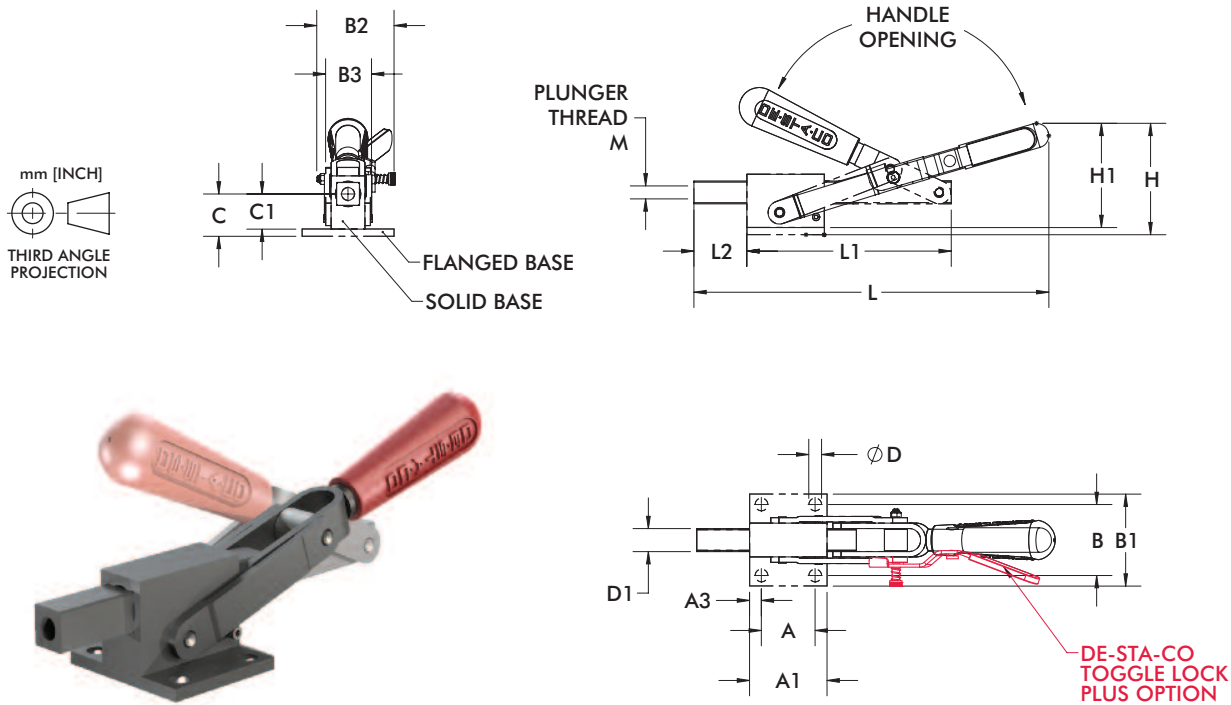


Series 5150 Technical Information

Model	Max. Holding Capacity	Weight	Plunger Travel mm[in.]	Handle Opening	Plunger Thread (M)	Recommended Spindle (not supplied)
5150	[5800lbf.] 25800N	[1.12lbs] 0,51 kg	[1.91] 48.4	125°	1/2-13	461203
5150-M					M12	461203-M
5150-B		[0.85lbs] 0,39kg			1/2-13	461203
5150-MB					M12	461203-M
5150-R		[1.13lbs] 0,51 kg			1/2-13	461203
5150-MR					M12	461203-M
5150-BR[Ⓢ]		[0.86lbs] 0,39kg			1/2-13	461203
5150-MBR[Ⓢ]					M12	461203-M

[Ⓢ] This item is available upon request

Series 5150 Standard Clamp Dimensions



Model	A	A1	A3	B	B1	B2	B3	C	C1	D	D1
5150	[1.75]	[2.52]	[0.38]	[2.31]	[2.99]					[0.41]	
5150-M	44,5	64,0	9,7	58,7	75,9			[1.37]		10,4	
5150-B	--	--	--	--	--	--		35	--	--	
5150-MB							[1.54]				[0.75]
5150-R	[1.75]	[2.52]	[0.38]	[2.31]	[2.99]		39,1			[0.41]	19,1
5150-MR	44,5	64,0	9,7	58,7	75,9	[2.52]			[1.14]	10,4	
5150-BR ⓘ	--	--	--	--	--	64,0		--	29	--	
5150-MBR ⓘ	--	--	--	--	--					--	

Model	H	H1	L	L1	L2	M
5150	[3.63]					1/2-13
5150-M	92,3	--	[11.24]			M12
5150-B		[3.40]	285,6			1/2-13
5150-MB	--	86,3		[5.24]	[1.96]	M12
5150-R	[3.42]			133,1	49,7	1/2-13
5150-MR	86,9	--				M12
5150-BR ⓘ			[11.12]			1/2-13
5150-MBR ⓘ	--	[3.19]	282,5			M12
		80,9				

ⓘ This item is available upon request