

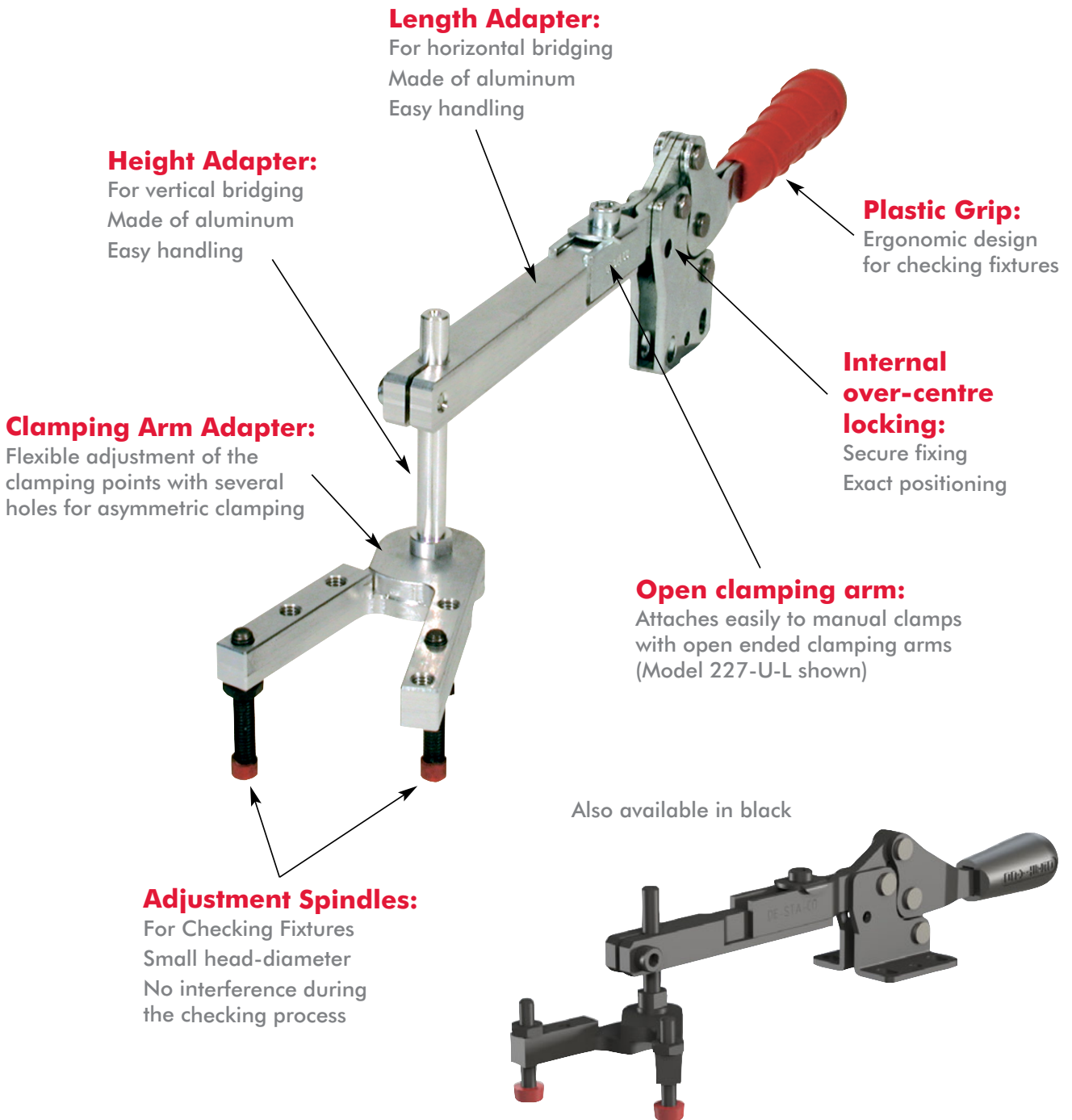
Adapters & Extensions

Features:

- Provides flexible adjustment of length and height
- Mounts to manual clamp models that feature open clamping arms
- Lightweight aluminum

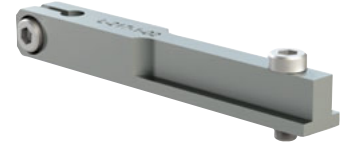
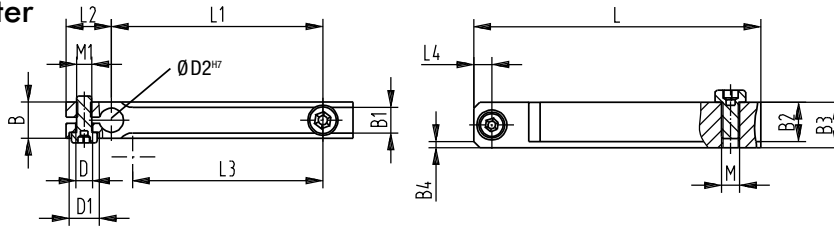
Application Areas:

- Checking fixtures
- Areas requiring multiple clamping points



Adapters & Extensions

Length Adapter

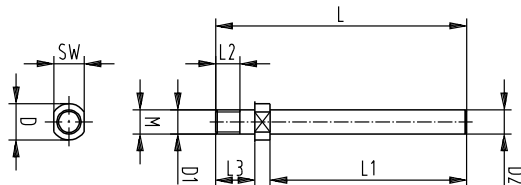


Model no.	Length adapter	B	B1 +0, -1	B2	B3	B4	DØ	D1 Ø	D2 ^{H7}	L	L1 ±0,2	L2	L3	L4	M	M1
213-U-L / 213-UB-L 2013-U / 2013-UB 2013-UR / 2013-UBR	L-213-1-01 L-213-1-02	[0.39] 10	[0.22] 5,5	[0.31] 8	[0.39] 10	2x45°	[0.22] 5,5	--		[1.97] 50 [3.54] 90	[1.18] 30 [2.76] 70	[0.47] 12	[0.79] 20	[0.20] 5	M4	M5
202-U-L / 202-UB-L 217-U-L / 217-UB-L 2002-U-L / 2002-UB-L 2017-U / 2017-UB 2017-UR / 2017-UBR	L-217-1-01 L-217-1-02 L-217-1-03		[0.26] 6,5	[0.35] 9	[0.47] 12	2x45°	[0.22] 5,5		[0.24] 6	[2.17] 55 [3.74] 95 [5.31] 135	[1.18] 30 [2.76] 70 [4.33] 110		[1.30] 33 [1.89] 48		M5	M5
207-U-L / 207-UB-L 227-U-L / 227-UB-L 2007-U-LS / 2007-U-LS 2027-U / 2027-UB 2027-UR / 2027-UBR	L-227-1-01 L-227-1-02 L-227-1-03 L-227-1-04	[0.47] 12						[0.39] 10		[2.17] 55 [3.74] 95 [5.31] 135 [6.89] 175	[1.18] 30 [2.76] 70 [4.33] 110 [5.91] 150	[0.59] 15	[1.30] 33 [2.87] 73	[0.24] 6		M6 M5

Ⓢ Available upon request.

Also available in Black. Add **-BLK** to part number.

Height Adapter



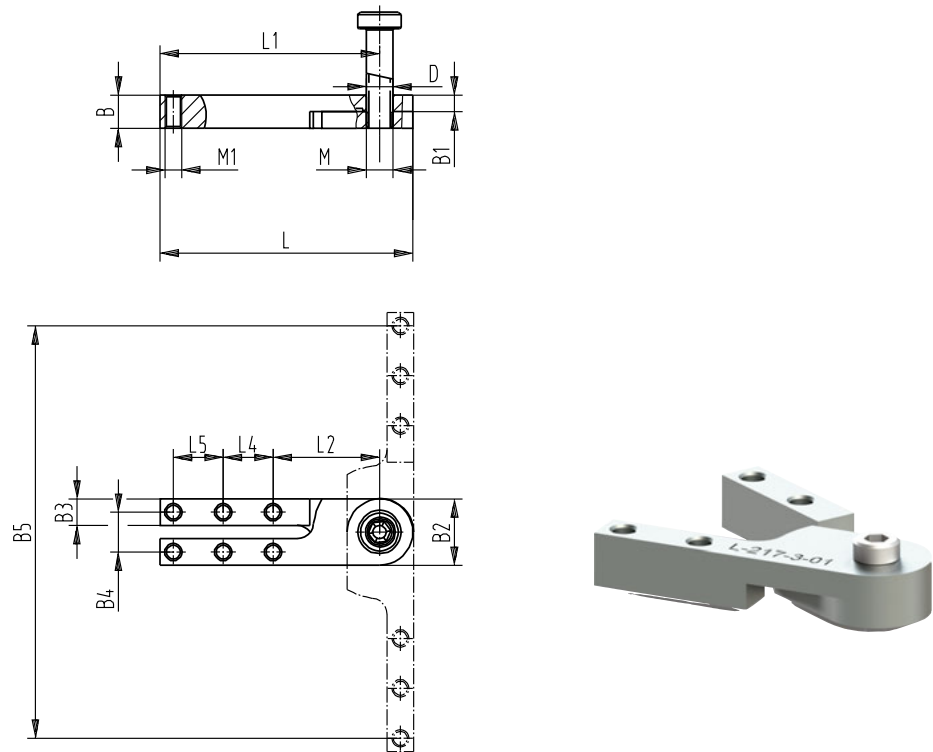
Model no.	Height adapter	DØ	D1 Ø f7	D2 f7	L	L1	L2	L3	SW	M
213-U-L / 213-UB-L 2013-U / 2013-UB 2013-UR / 2013-UBR	L-213-2-01 L-213-2-02		[0.20] 5	[0.24] 6	[2.05] 52 [3.23] 82	[1.38] 35 [2.56] 65				M5
202-U-L / 202-UB-L 217-U-L / 217-UB-L 2002-U-LS / 2002-UB-LS 2017-U / 2017-UB 2017-UR / 2017-UBR	L-217-2-01 L-217-2-02	[0.39] 10	[0.24] 6	[0.24] 6	[2.05] 52 [3.23] 82	[1.38] 35 [2.56] 65	[0.31] 8	[0.47] 12	[0.31] 8	M6
207-U-L / 207-UB-L 227-U-L / 227-UB-L 2007-U-LS / 2007-U-LS 2027-U / 2027-UB 2027-UR / 2027-UBR	L-227-2-01 L-227-2-02	[0.31] 8	[0.31] 8	[0.31] 88	[2.09] 53 [3.23] 82	[1.38] 35 [2.56] 65		[0.51] 13	[0.39] 10	M8

Ⓢ Available upon request.

Also available in Black. Add **-BLK** to part number.

Adapters & Extensions

Clamping Arm Adapter



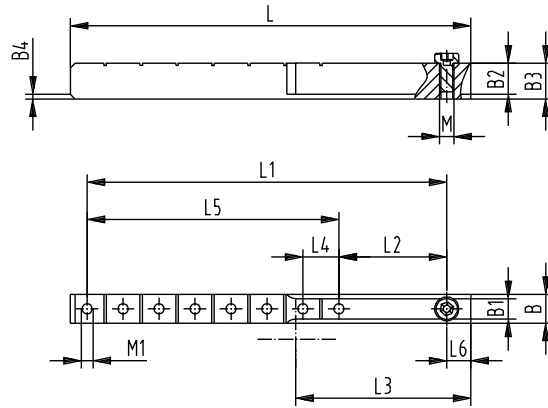
Model no.	Clamping arm adapter	B	B1	B2	B3	B4	B5	DØ _{H7}	L	L1	L2	L4	L5	L6	M	M1
213-U-L / 213-UB-L 2013-U / 2013-UB 2013-UR / 2013-UBR	L-213-3-01 ⓘ							[0.20] 5							M5	M5
202-U-L / 202-UB-L 217-U-L / 217-UB-L 2002-U-LS / 2002-UB-LS 2017-U / 2017-UB 2017-UR / 2017-UBR	L-217-3-01 ⓘ	[0.39] 10	[0.20] 5	[0.79] 20	[0.31] 8	[0.47] 12	[3.70] 94	[0.24] 6	[2.40] 61	[2.01] 51	[1.26] 32	[0.59] 15		[0.39] 10	M6	M5
207-U-L / 207-UB-L 227-U-L / 227-UB-L 2007-U-LS / 2007-UB-LS 2027-U / 2027-UB 2027-UR / 2027-UBR	L-227-3-01 ⓘ						4.88 124	[0.31] 8	[2.99] 76	[2.60] 66			[0.59] 15		M8	M5

ⓘ Available upon request. Also available in Black. Add **-BLK** to part number.

Adapters & Extensions

Arm Extension:

- Easily cut to length
- Drilled & tapped for spindle attachment

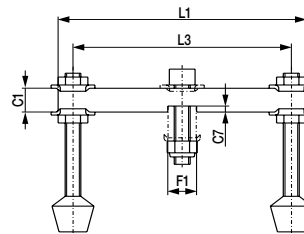


Model no.	Extension link	B	B1 +0, -1	B2	B3	B4	L ±0,2	L1	L2	L3	L4	L5	L6	M	M1		
213-U-L / 213-UB-L 2013-U / 2013-UB 2013-UR / 2013-UBR	L-213-4-01 ⓘ	[0.39] 10	[0.22] 5,5	[0.31] 8	[0.39] 10	2x45°	[2.95] 75	[2.36] 60	[0.94] 24	[0.79] 20	[0.47] 12	[1.42] 36	[0.31] 8	M4	M5		
202-U-L / 202-UB-L 217-U-L / 217-UB-L 2002-U-LS / 2002-UB-LS 2017-U / 2017-UB 2017-UR / 2017-UBR	L-217-4-01 ⓘ		[0.26] 6,5	[0.35] 9	[0.47] 12	2x45°	[5.00] 127	[4.33] 110	[1.38] 35	[1.89] 48		[2.95] 75	[0.39] 10	M5	M5		
207-U-L / 207-UB-L 227-U-L / 227-UB-L 2007-U-LS / 2007-UB-LS 2027-U / 2027-UB 2027-UR / 2027-UBR	L-227-4-01 ⓘ	[0.47] 12		[0.51] 13	[0.59] 15	2x45°	[6.57] 167	[5.91] 150	[1.77] 45	[2.87] 73		[0.59] 15		[4.13] 105	[0.39] 10	M6	M5

ⓘ Available upon request. Also available in Black. Add **-BLK** to part number.

Cross Arm Set

- 1 x cross arm
- 2 x adjustment spindles with neoprene thrust pads vulcanized, resin-free, inc.
- 2 x fastening nuts
- 4 x flange washers
- 1 x screw incl. 1 x fastening nut, self-locking



Model no.	For Models with U Arms	C1	C7	F	F1	L1	L3	Adjustable Spindles
207426-Q	207, 225, 227	[0.47] 12	[0.12] 3	[0.31] 35	[0.57] 14,5	[4.92] 125	[4.33] 110	507208-M
210440-Q	210, 235, 237	[0.63] 16	[0.16] 4	[0.43] 11	[0.75] 19	[5.87] 149	[5.12] 130	240208-M