

Operating pressure max. 350 bar/min 100 bar

Hydraulic hollow piston cylinders can solve many clamping problems because they can also be used as pulling cylinders due to the hollow piston combined with a tie rod. The double action principle allows short stroke times and high retraction forces, i.e. clamping forces in the reverse stroke direction.

Technical characteristics

- Piston with through-hole and with internal thread
- 2 fastening threads at the base
- Lateral hydraulic connections

CUSTOMER DESIGNED MODELS

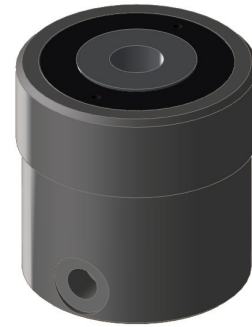
If you need a special cylinder for your application – customer designed models are available. PLEASE LET US KNOW!

Important note

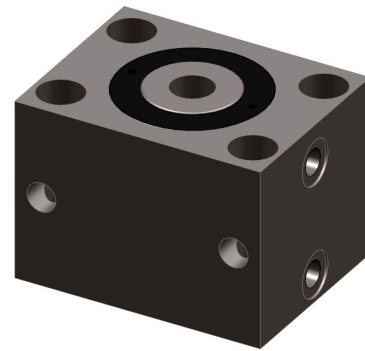
The operating pressure should not exceed 250 bar if the piston is actuated without a counter force.

Recommended accessories (separate order)

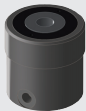
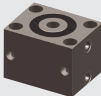
2 straight screw connectors D8S-R1/4



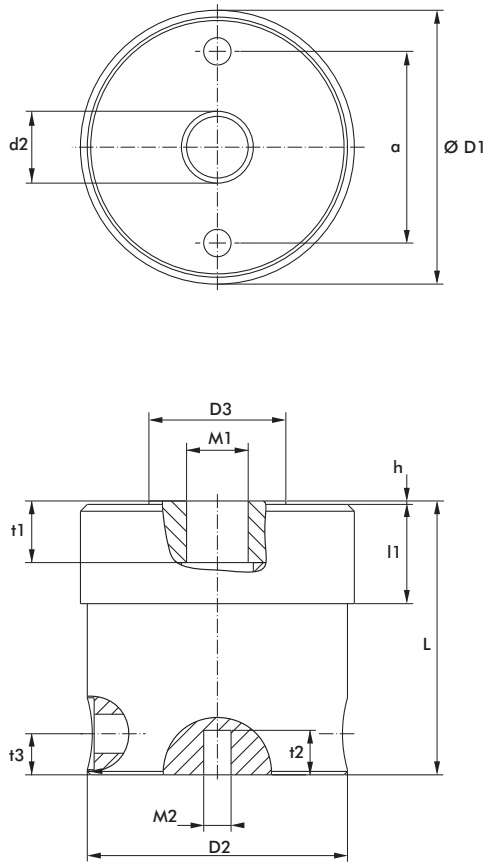
Cylindrical version



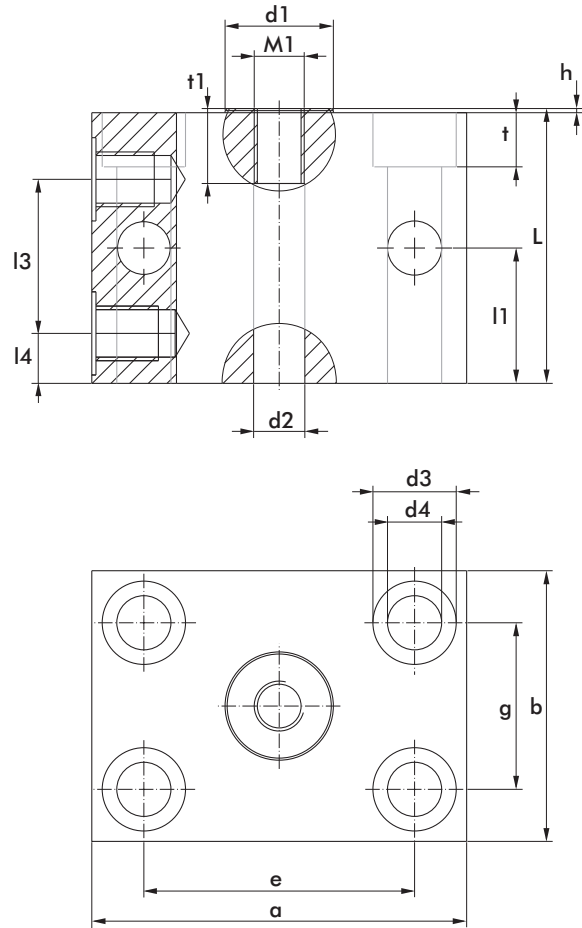
Block version

model no. cylindrical version	Clamping force at 100 bar				Stroke* S max. [mm]	Piston surface area		Oil consumption		Connection Weight		
	forward	stroke	back	stroke		Repair kit	forward	back	forward	back	G	~
	[kN]	[kN]	[kN]	[kN]		[mm]	stroke	stroke	stroke	stroke	2x	[kg]
	7411-2	8,6	5,9	7411-2-00	10	8,8	6,0	8,8	6,0	G1/4	0,9	
	7412-2	12,9	8,3	7412-2-00	15	13,2	8,4	21,1	13,4	G1/4	1,5	
	7413-2	18,1	12,7	7413-2-00	24	18,4	15,0	44,1	36,0	G1/4	2,0	
	7414-2	26,2	20	7414-2-00	24	26,7	20,4	64,1	49,0	G1/4	2,6	
block version												
	723D38102-2	8,6	5,9	7411-1-00	10	8,8	6,0	8,8	6,0	G1/4	1,3	
	723D48152-2	12,9	8,3	7412-1-00	15	13,2	8,4	21,1	13,4	G1/4	1,8	
	723D57242-2	18,1	12,7	7413-1-00	24	18,4	15,0	44,1	36,0	G1/4	2,5	
	723D68242-2	26,2	20	7414-1-00	24	26,7	20,4	64,1	49,0	G1/4	3,1	

Cylindrical version 74...



Block version 723D...



model no. cylindrical version	a	b	d1	d2	d3	d4	D1	D2	e	g	h	l1	l3	l4	L	M1	M2	t	t1	t2	t3
	[mm]																				
7411-2	40	-	25	12,3	-	-	60	56	-	-	1	25	-	-	66	M12x1,5	M8	-	18	12	12
7412-2	48	-	35	17	-	-	72	66	-	-	1	33	-	-	72	M16x1,5	M8	-	18	13	12
7413-2	56	-	40	21	-	-	80	76	-	-	1	29	-	-	80	M20x1,5	M10	-	18	13	12
7414-2	60	-	45	25	-	-	90	84	-	-	1	29	-	-	90	M24x1,5	M10	-	18	13	12

block version	a	b	d1	d2	d3	d4	D1	D2	e	g	h	l1	l3	l4	L	M1	M2	t	t1	t2	t3
723D38102-2	90	65	25	-	20	13	-	-	65	40	1	32,5	37	12	66	M12x1,5	-	13	18	-	-
723D48152-2	100	75	35	-	20	13	-	-	76	45	1	35,5	41	12	72	M16x1,5	-	13	18	-	-
723D57242-2	110	85	40	-	20	13	-	-	86	55	1	39,5	50	12	80	M20x1,5	-	13	18	-	-
723D68242-2	110	85	45	-	20	13	-	-	86	55	1	39,5	50	12	80	M24x1,5	-	13	18	-	-