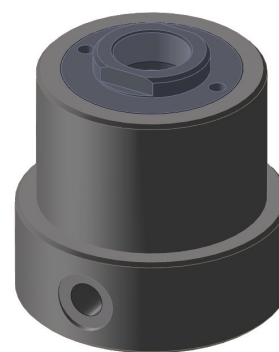


Operating pressure max. 350 bar/min 100 bar

These hydraulic cylinder are single acting with spring retraction. A typical application for hydraulic hollow piston cylinders is when pulling and/or pushing forces are needed for clamping. The piston inserts which can be mounted in the thread on the top end of the piston are used to secure threaded bolts or screws. The piston inserts are available with the internal thread (type A) or with the through-hole (type B).

Technical characteristics

- Cylindrical and Block version available
- Cylindrical version available with– or without external thread
- Spring retraction
- Piston with through-hole (different piston inserts available)
- Piston nitrogen hardened
- Fastening threads at the base
- Lateral hydraulic connection



Cylindrical version

CUSTOMER DESIGNED MODELS

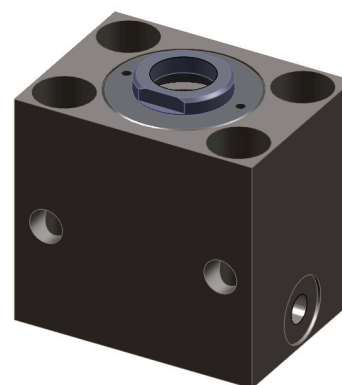
If you need a special cylinder for your application – customer designed models are available. PLEASE LET US KNOW!

Important note


The operating pressure should not exceed 100 bar if the piston is actuated without a counter force.

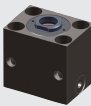
Recommended accessories (separate order)

- 1 straight screw connectors D8S-R1/8
- 1 straight screw connectors D8S-R1/4
- Piston inserts

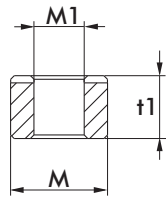


Block version

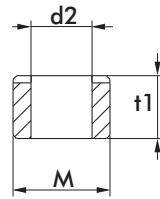
model no. cylindrical version	Clamping force at 100 bar		Stroke S max. [mm]	Piston surface area [cm ²]	Oil consumption/ stroke [cm ³]	Spring retracting force min [kN]	Connection G 2x	Weight ~ [kg]	
	[kN]	Repair kit							
	70537-DX11	8	70537-D1-00	9	8,8	7,9	34	G1/8	1,25
	70537-D1	8,4	70537-D1-00	9	8,8	7,9	12,5	G1/8	1,25
	70537-DG	8,4	70537-D1-00	9	8,8	7,9	12,5	G1/8	1,25
	70550-D2	15,7	70550-D2-00	12,5	16,4	20,5	18,5	G1/4	2
	70550-DG	15,7	70550-D2-00	12,5	16,4	20,5	18,5	G1/4	2
	70562-D2	23,9	70562-D1-00	15,5	24,8	38,4	32	G1/4	2,8
	70562-DG	23,9	70562-D1-00	15,5	24,8	38,4	32	G1/4	2,8

block version									
	723E38092-1	8	70537-D1-00	9	8,8	7,9	34	G1/8	1,5
	723E51122-1	15,7	70550-D2-00	12,5	16,4	20,5	18,5	G1/4	2,5
	723E63152-1	23,9	70562-D1-00	15,5	24,8	28,4	32	G1/4	3,3

Type A



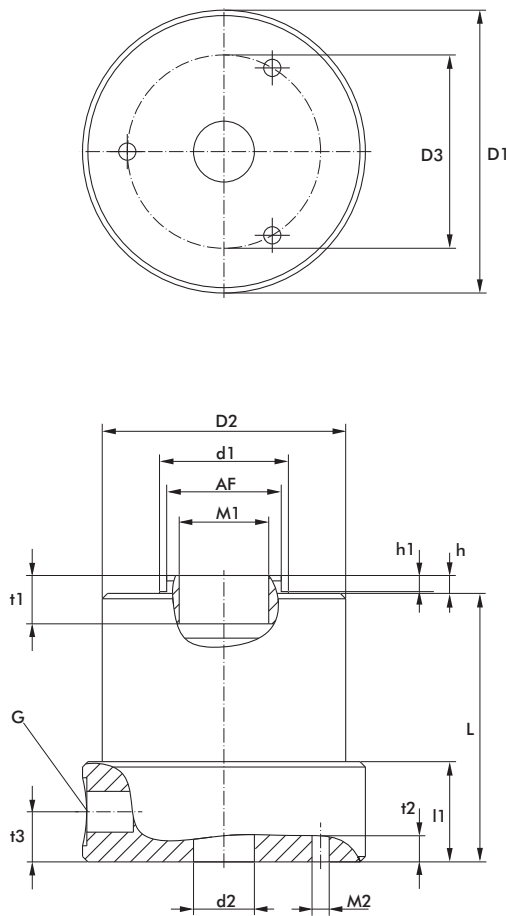
Type B



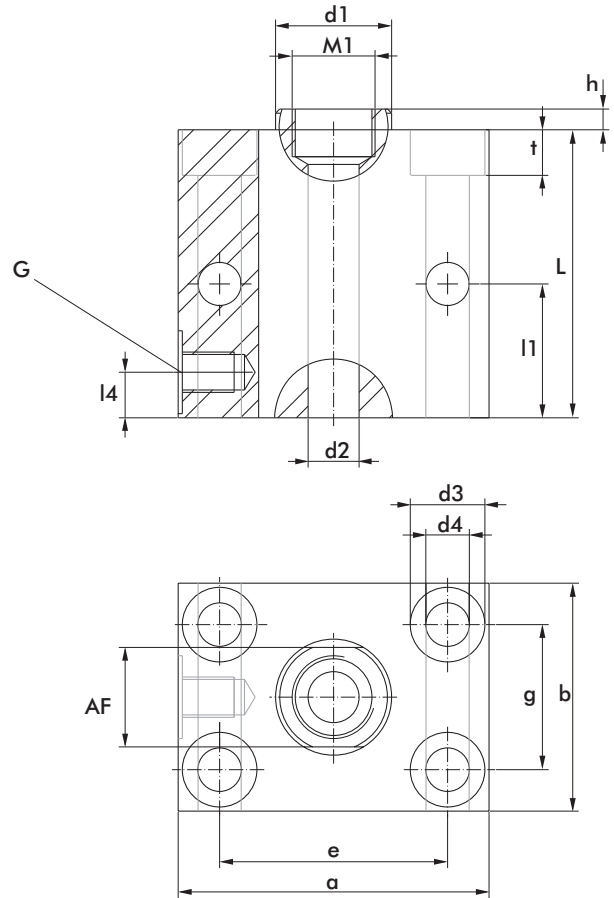
Accessories piston inserts

order no. Type A	order no. Type B	d2	M	M1	t1	for model
		[mm]				
705383-D	705384-D	12,3	M12	M20x1,5	11,5	70537.../ 723E38...
705511-D	705513-D	17	M16	M27x1,5	17,5	70550.../ 723E51...
705633-D	705634-D	21	M20	M36x1,5	21	70562.../ 723E63...

Cylindrical version 705...



Block version 723E...



model cylindrical version	a	b	d1	d3	d4	D1	D2/M3	D3	e	g	h	h1	L	l1	l4	M1	M2	AF	t	t2	t3
[mm]																					
70537-DX11	-	-	26	-	-	65	55	46	-	-	5	4,5	64,5	22		M20x1,5	M5	22	-	8	11
70537-D1	-	-	28	-	-	65	55	46	-	-	5	4,5	60	25		M20x1,5	M5	24	-	8	12
70537-DG	-	-	28	-	-	65	M50x1,5	46	-	-	5	4,5	60	25		M20x1,5	M5	24	-	8	12
70550-D2	-	-	36	-	-	79	68	54	-	-	5	4,5	75	28		M27x1,5	M6	32	-	9	14
70550-DG	-	-	36	-	-	79	M68x1,5	54	-	-	5	4,5	75	28		M27x1,5	M6	32	-	9	14
70562-D2	-	-	48	-	-	93	80	60	-	-	5	4,5	92	32		M36x1,5	M6	41	-	10	16
70562-DG	-	-	48	-	-	93	M80x2	60	-	-	5	4,5	92	32		M36x1,5	M6	41	-	10	16

block version	a	b	d1	d3	d4	D1	D2/M3	D3	e	g	h	h1	L	l1	l4	M1	M2	AF	t	t2	t3
723E38092-1	75	55	28	18	10,5	-	-	-	55	35	5	4,5	69,5	32,5	11	M20x1,5	-	24	11	-	-
723E51122-1	100	75	36	20	13	-	-	-	76	45	5	4,5	80	37,5	14	M27x1,5	-	32	13	-	-
723E63152-1	110	85	48	20	13	-	-	-	86	55	5	4,5	97	46	16	M36x1,5	-	41	13	-	-