

Series 84A2-1 Product Overview

Features:

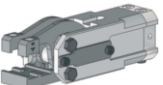

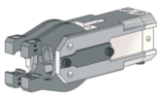
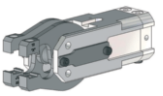
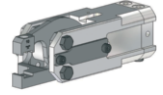
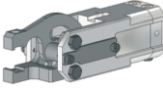
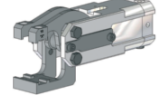
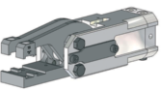

- small size, low weight
- fast opening and closing action
- high clamping force
- long life cycle
- roller and cam principle, self-locking at end stop position
- add-on component and end position sensing available
- Cylinder diameter 25
- Air consumption per double stroke: 0,3 dm³
- Air connectors M5

Application:

Gripping, holding, placing, removing and transporting of metal sheets and other parts, mainly in jigs, transfer presses and handling systems.

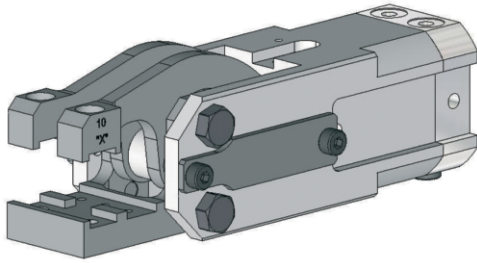
Key areas of application:

Automotive manufacturing, sheet processing industry, jig and general mechanical engineering.

Picture	Model	Clamping Force at 5 bar N [lbs]	Opening Angle	Weight Kg [lbs]	Opening/closure time min sec.
	84A2-110000000	580 [130]	72° upper	0,6 [1.32]	0,2
	84A2X110000000		30° upper		
	84A2Y110000000		45° upper		
	84A2-120000000	360 [81]	72° upper	0,65 [1.43]	0,2
	84A2X120000000		30° upper		
	84A2Y120000000		45° upper		
	84A2-130000000	270 [61]	72° upper + lower	0,6 [1.32]	0,2
	84A2X130000000		30° upper + lower		
	84A2Y130000000		45° upper + lower		
	84A2R130000000	270 [61]	72° upper, 15° lower	0,6 [1.32]	0,2
	84A2T130000000		45° upper, 15° lower		
	84A2-140000000	580 [130]	72° upper	0,5 [0.11]	0,2
	84A2X140000000		30° upper		
	84A2Y140000000		45° upper		
	84A2-160000000	580 [130]	72° upper	0,5 [0.11]	0,2
	84A2X160000000		30° upper		
	84A2Y160000000		45° upper		
	84A2-170000000	580 [130]	72° upper	0,6 [1.32]	0,2
	84A2X170000000		30° upper		
	84A2Y170000000		45° upper		
	84A2-180000000	340 [76]	72° upper	0,65 [1.43]	0,2
	84A2X180000000		30° upper		
	84A2Y180000000		45° upper		
	84A2-190000000	400 [90]	45° upper	0,65 [1.43]	0,2
	84A2X190000000		30° upper		

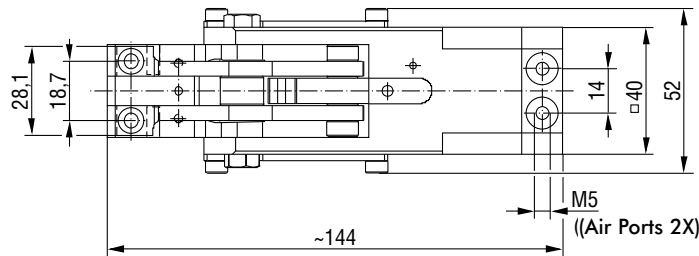
* The values of gripping forces include a safety factor 20%

Series 84A2-1 Product Overview



Model	Opening angle
84A2-110000000	72°
84A2X110000000	30°
84A2Y110000000	45°

Model	Clamping force at 5 bar ~N [lbs]	Piston Ø mm [in]	Air consumption per double stroke at 5 bar dm³ [ft³]	Weight ~ Kg [lbs]	Min Opening speed for max. opening sec.	Min Closing speed for max. opening sec.
84A2-11*****	580 [130]	25 [0.98]	0,3 [0.01]	0,6 [1.32]	0,2	0,2



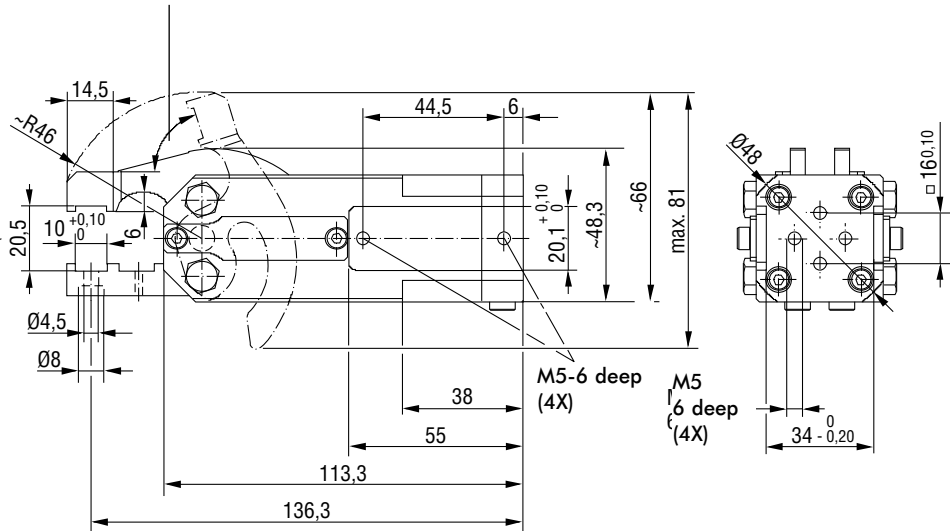
Medium: air, min. 3 bar, max. 6 bar operation with oil-free air is permissible.

Attention!
Concept guidelines to be considered

Note!

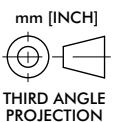
Any extension of the movable or fixed gripper jaws as well as the additional attachment of weights will repeal the guarantee.

Opening angle



Note!

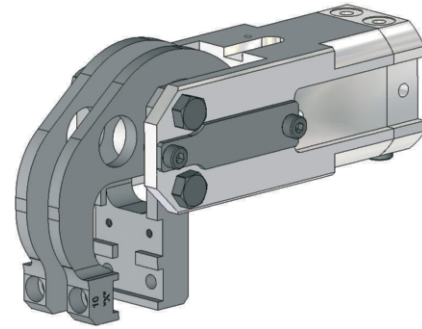
Addition of the gripper teeth height and thickness must be 20,5 mm. It might be necessary to use shim plates or to grind the gripper teeth.



Please order separately accessories such as gripper teeth, sensing and adaptors. See page 17.11

Series 84A2-1 Product Overview

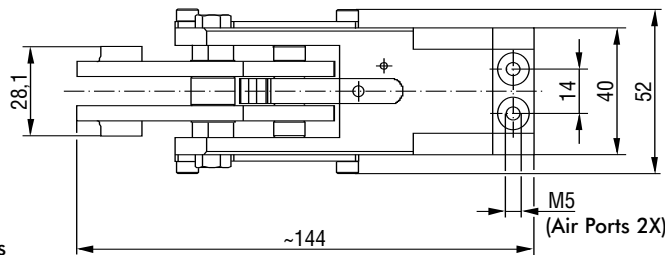
Model	Opening angle
84A2-120000000	72°
84A2X120000000	30°
84A2Y120000000	45°



Model	Clamping force at 5 bar ~N [lbs]	Piston Ø mm [in]	Air consumption per double stroke at 5 bar dm³ [ft³]	Weight ~ Kg [lbs]	Min Opening speed for max. opening sec.	Min Closing speed for max. opening sec.
84A2-12*****	360 [81]	25 [0.98]	0,3 [0.01]	0,65 [1.43]	0,2	0,2

Note!

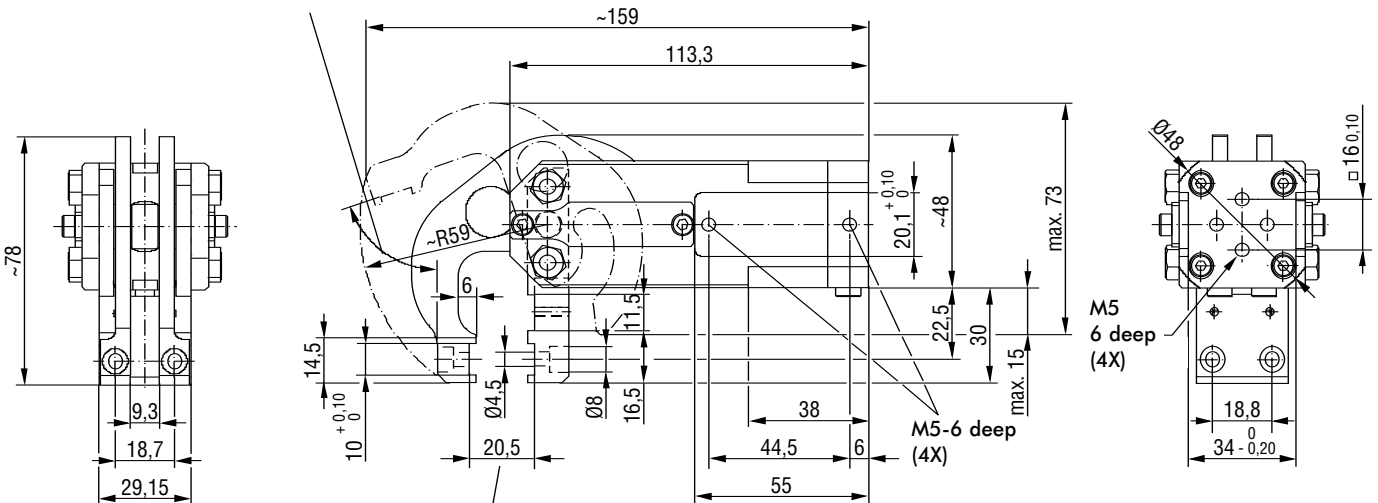
Any extension of the movable or fixed gripper jaws as well as the additional attachment of weights will repeal the guarantee.



Medium: air, min. 3 bar, max. 6 bar operation with oil-free air is permissible.

Attention!
Concept guidelines to be considered

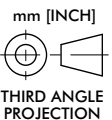
Opening angle



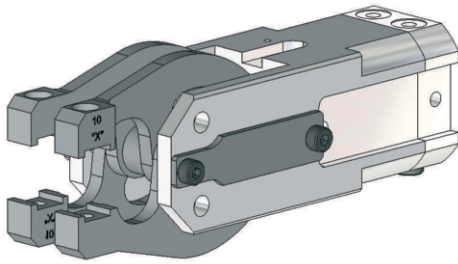
Note!

Addition of the gripper teeth height and thickness must be 20,5 mm. It might be necessary to use shim plates or to grind the gripper teeth.

Please order separately accessories such as gripper teeth, sensing and adaptors. See page 17.11

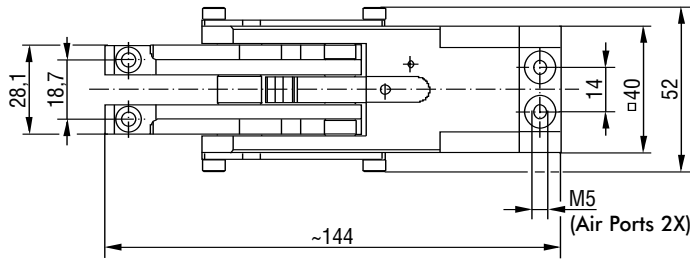


Series 84A2-1 Product Overview



Model	Opening angle
84A2-130000000	72°
84A2X130000000	30°
84A2Y130000000	45°

Model	Clamping force at 5 bar ~N [lbs]	Piston Ø mm [in]	Air consumption per double stroke at 5 bar dm³ [ft³]	Weight ~ Kg [lbs]	Min Opening speed for max. opening sec.	Min Closing speed for max. opening sec.
84A2-13*****	270 [61]	25 [0.98]	0,3 [0.01]	0,6 [1.32]	0,2	0,2



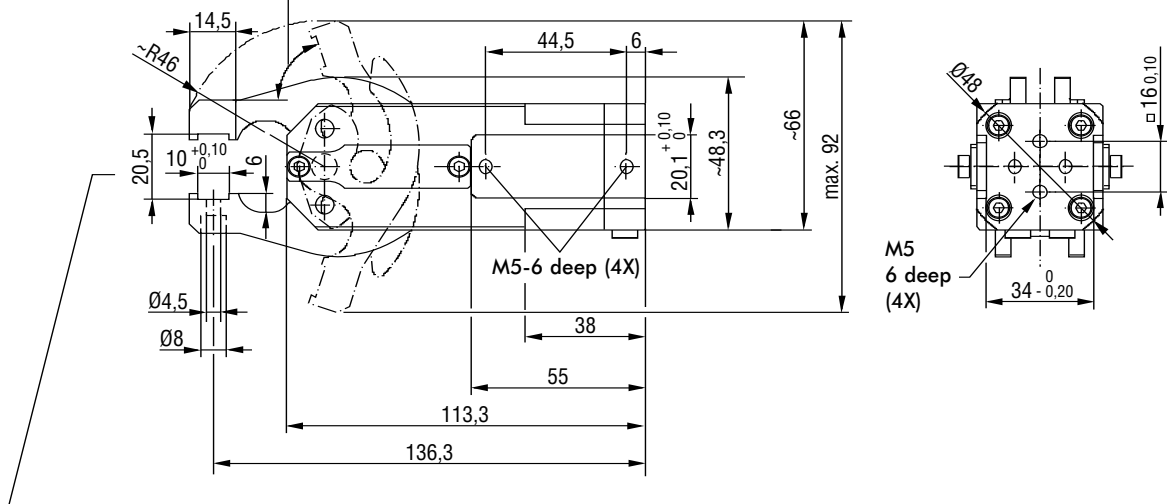
Medium: air, min. 3 bar, max. 6 bar operation with oil-free air is permissible.

Attention!
Concept guidelines to be considered

Note!

Any extension of the movable or fixed gripper jaws as well as the additional attachment of weights will repeal the guarantee.

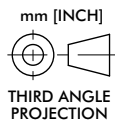
Opening angle



Note!

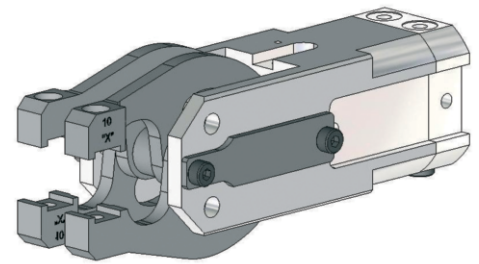
Addition of the gripper teeth height and thickness must be 20,5 mm. It might be necessary to use shim plates or to grind the gripper teeth.

Please order separately accessories such as gripper teeth, sensing and adaptors. See page 17.11



Series 84A2-1 Product Overview

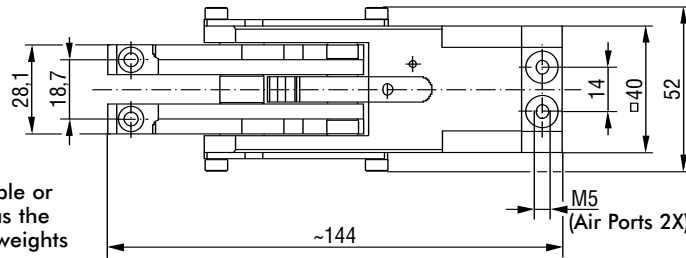
Model	Upper Opening angle	Lower Opening angle
84A2R130000000	72°	15°
84A2T130000000	45°	15°



Model	Clamping force at 5 bar ~N [lbs]	Piston Ø mm [in]	Air consumption per double stroke at 5 bar dm³ [ft³]	Weight ~ Kg [lbs]	Min Opening speed for max. opening sec.	Min Closing speed for max. opening sec.
84A2R(T)13*****	270 [61]	25 [0.98]	0,3 [0.01]	0,6 [1.32]	0,2	0,2

Note!

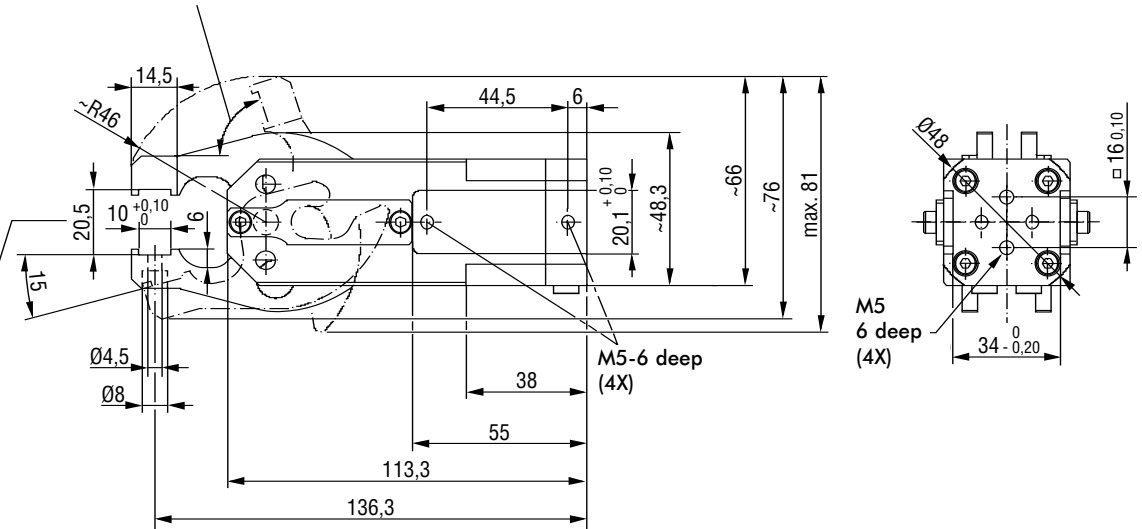
Any extension of the movable or fixed gripper jaws as well as the additional attachment of weights will repeal the guarantee.



Medium: air, min. 3 bar, max. 6 bar operation with oil-free air is permissible.

Attention!
Concept guidelines to be considered

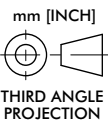
Opening angle



Note!

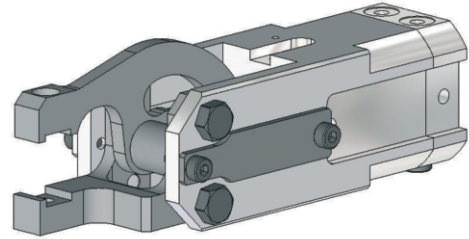
Addition of the gripper teeth height and thickness must be 20,5 mm. It might be necessary to use shim plates or to grind the gripper teeth.

Please order separately accessories such as gripper teeth, sensing and adaptors. See page 17.11

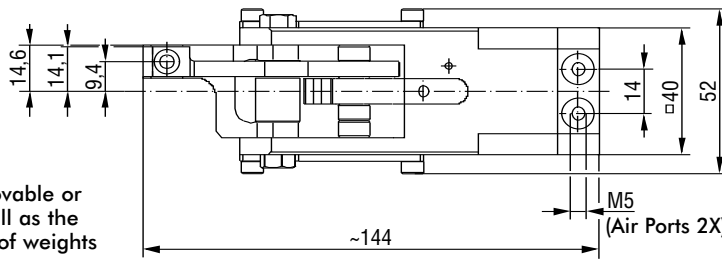


Series 84A2-1 Product Overview

Model	Opening angle
84A2-160000000	72°
84A2X160000000	30°
84A2Y160000000	45°



Model	Clamping force at 5 bar ~N [lbs]	Piston Ø mm [in]	Air consumption per double stroke at 5 bar dm³ [ft³]	Weight ~ Kg [lbs]	Min Opening speed for max. opening sec.	Min Closing speed for max. opening sec.
84A2-16*****	580 [130]	25 [0.98]	0,3 [0.01]	0,5 [0.11]	0,2	0,2

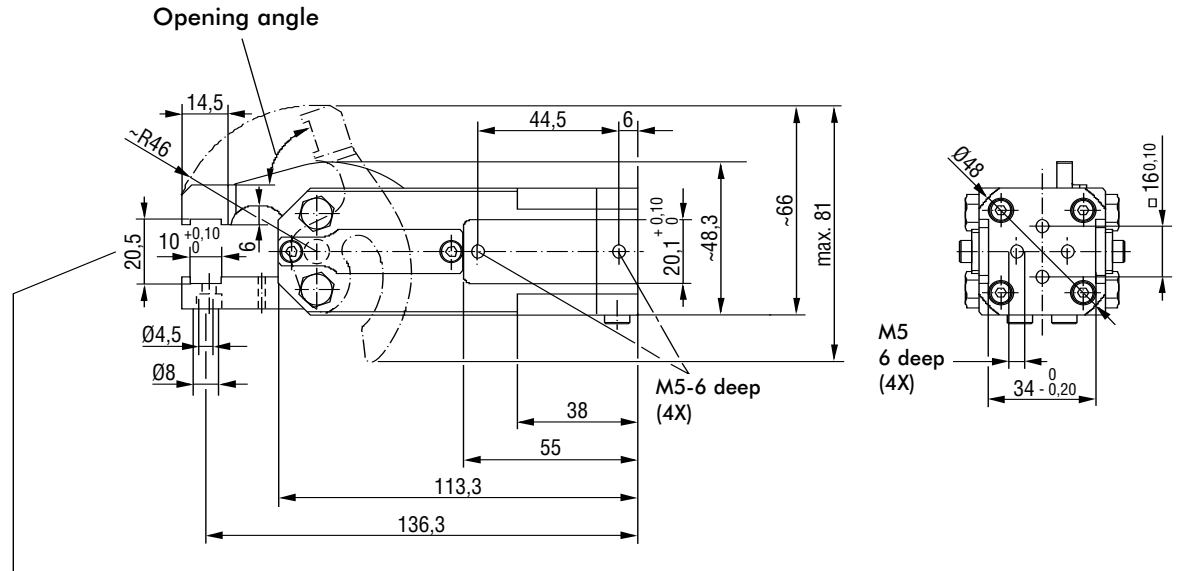


Medium: air, min. 3 bar, max. 6 bar operation with oil-free air is permissible.

Attention!
Concept guidelines to be considered

Note!

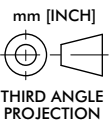
Any extension of the movable or fixed gripper jaws as well as the additional attachment of weights will repeal the guarantee.



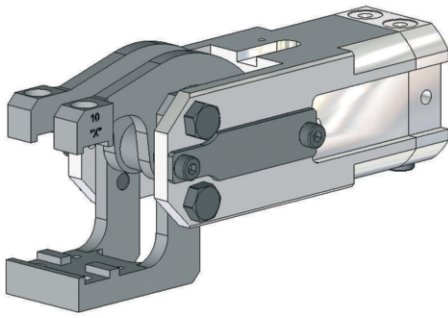
Note!

Addition of the gripper teeth height and thickness must be 20,5 mm. It might be necessary to use shim plates or to grind the gripper teeth.

Please order separately accessories such as gripper teeth, sensing and adaptors. See page 17.11

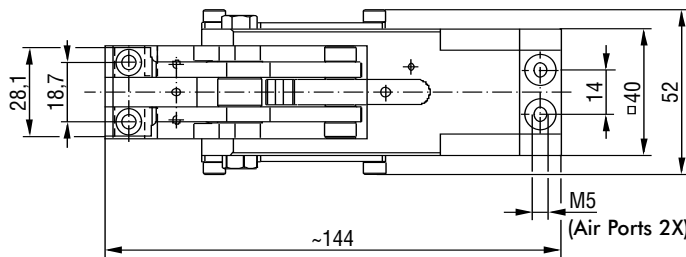


Series 84A2-1 Product Overview



Model	Opening angle
84A2-170000000	72°
84A2X170000000	30°
84A2Y170000000	45°

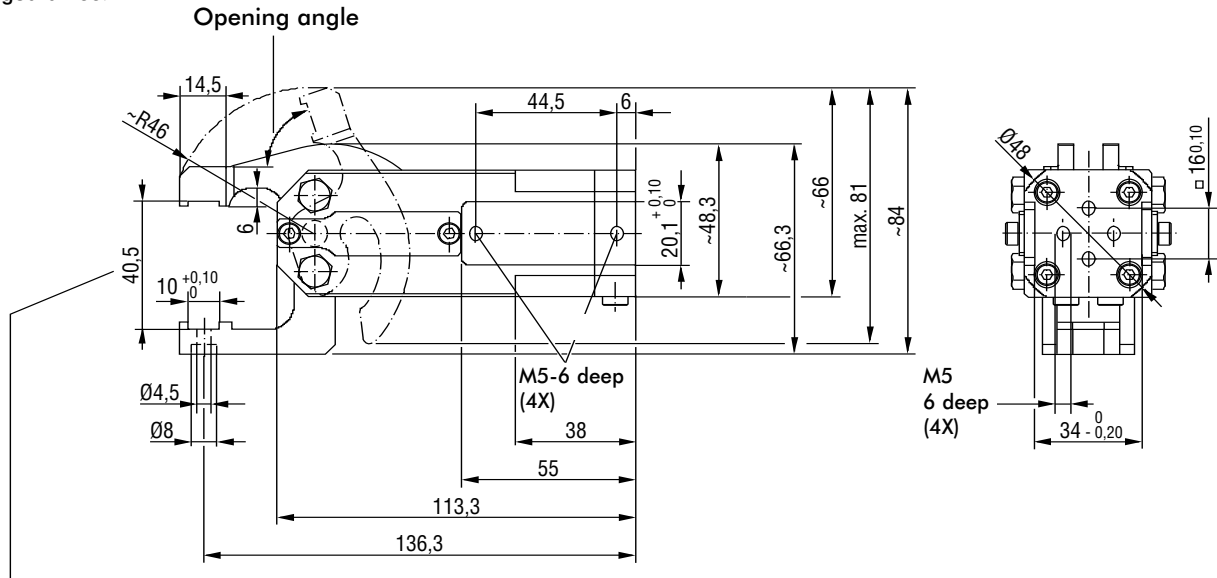
Model	Clamping force at 5 bar ~N [lbs]	Piston Ø mm [in]	Air consumption per double stroke at 5 bar dm³ [ft³]	Weight ~ Kg [lbs]	Min Opening speed for max. opening sec.	Min Closing speed for max. opening sec.
84A2-17*****	580 [130]	25 [0.98]	0,3 [0.01]	0,6 [1.32]	0,2	0,2



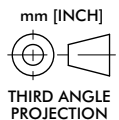
Medium: air, min. 3 bar, max. 6 bar operation with oil-free air is permissible.

Attention!
Concept guidelines to be considered

Note!
Any extension of the movable or fixed gripper jaws as well as the additional attachment of weights will repeal the guarantee.



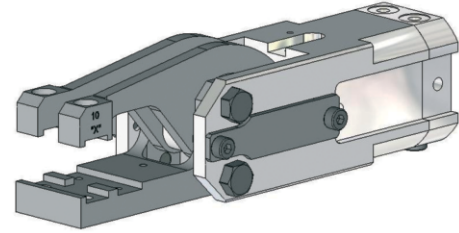
Note!
Addition of the gripper teeth height and thickness must be 20,5 mm. It might be necessary to use shim plates or to grind the gripper teeth.



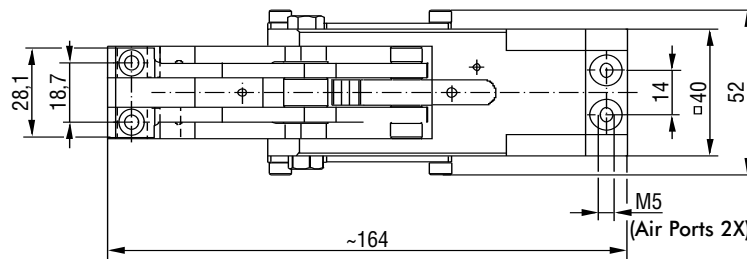
Please order separately accessories such as gripper teeth, sensing and adaptors. See page 17.11

Series 84A2-1 Product Overview

Model	Opening angle
84A2-180000000	72°
84A2X180000000	30°
84A2Y180000000	45°



Model	Clamping force at 5 bar ~N [lbs]	Piston Ø mm [in]	Air consumption per double stroke at 5 bar dm³ [ft³]	Weight ~ Kg [lbs]	Min Opening speed for max. opening sec.	Min Closing speed for max. opening sec.
84A2-18*****	340 [76]	25 [0.98]	0,3 [0.01]	0,65 [1.43]	0,2	0,2

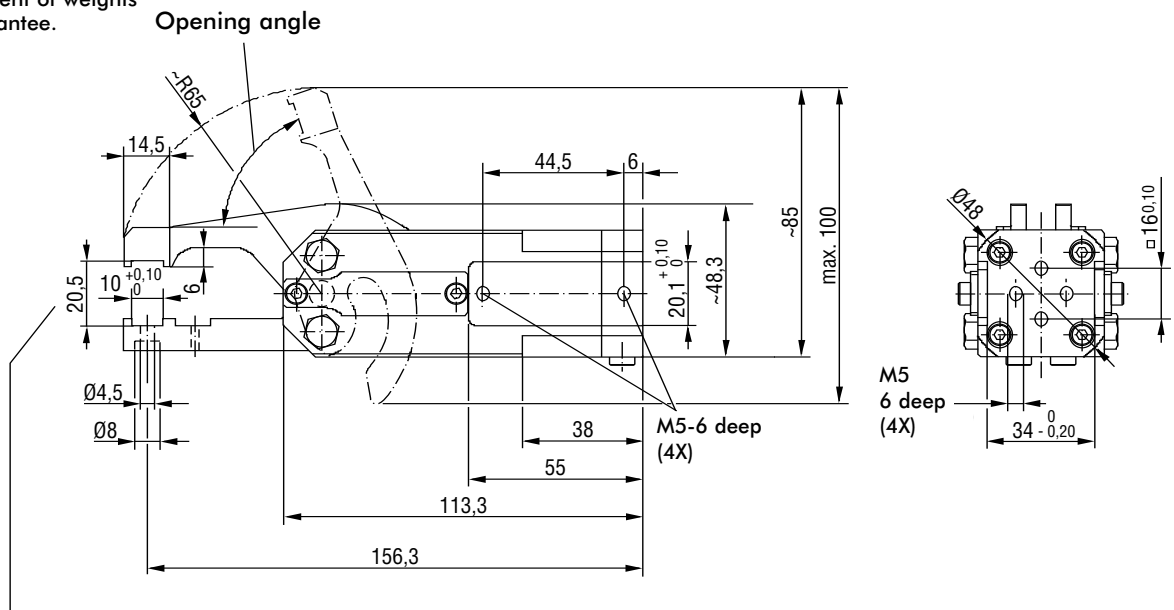


Medium: air, min. 3 bar, max. 6 bar operation with oil-free air is permissible.

Attention!
Concept guidelines to be considered

Note!

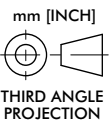
Any extension of the movable or fixed gripper jaws as well as the additional attachment of weights will repeal the guarantee.



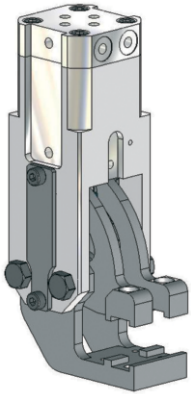
Note!

Addition of the gripper teeth height and thickness must be 20,5 mm. It might be necessary to use shim plates or to grind the gripper teeth.

Please order separately accessories such as gripper teeth, sensing and adaptors. See page 17.11

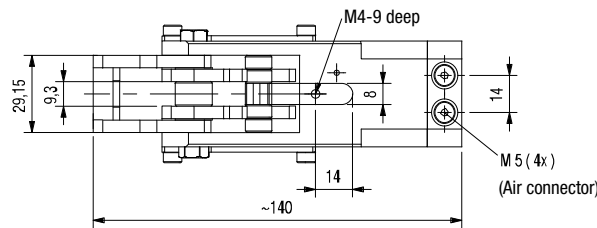


Series 84A2-1 Product Overview



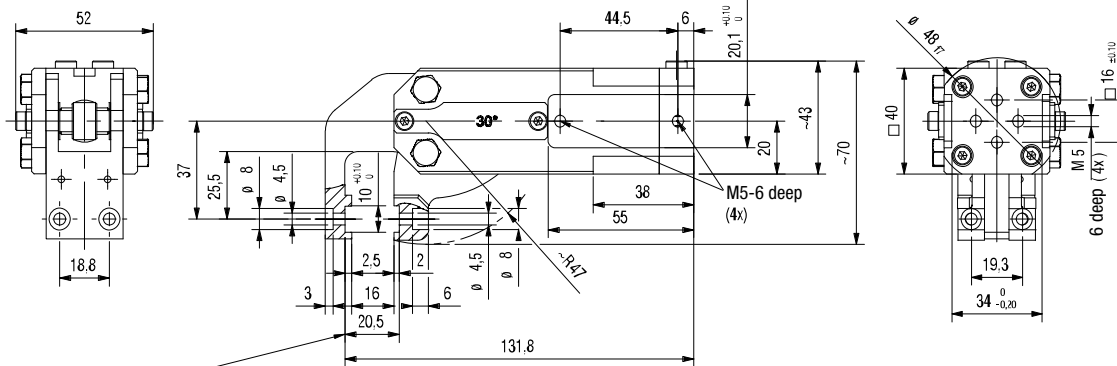
Model	Opening angle
84A2-190000000	45°
84A2X190000000	30°

Model	Clamping force at 5 bar ~N [lbs]	Holding force max. N [lbs]	Piston Ø mm [in]	Air consumption per double stroke at 5 bar dm ³ [ft ³]	Weight ~ Kg [lbs]	Min Opening speed for max. opening sec.	Min Closing speed for max. opening sec.
84A2-19*****	400 [90]	1500 [337]	25 [0.98]	0,3 [0.01]	0,6 [1.32]	0,2	0,2



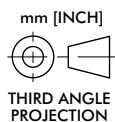
Medium: air, min. 3 bar, max. 6 bar operation with oil-free air is permissible.

Attention!
Concept guidelines to be considered



Note!
Addition of the gripper teeth height and thickness must be 20,5 mm. It might be necessary to use shim plates or to grind the gripper teeth.

Note!
Any extension of the movable or fixed gripper jaws as well as the additional attachment of weights will repeal the guarantee.



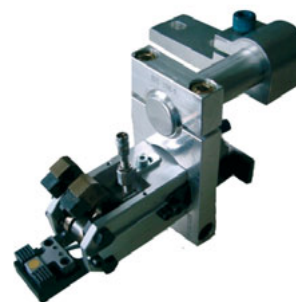
Please order separately accessories such as gripper teeth, sensing and adaptors. See page 17.11

Series 84A2-1/84A2-V Accessories Overview and Major Spare Parts

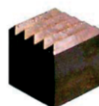
Major spare parts

Specification	Order no. for 84A2-1
Cylinder	8PW-059-1
Seal kit	8PW-059-1-00

Specification	Order no. for 84A2-V
Cylinder	8PW-070-1
Seal kit	8PW-059-1-00

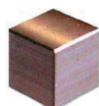


Gripper teeth: steel hardened



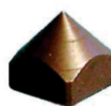
8JZ-027-1

Gripper teeth: steel soft



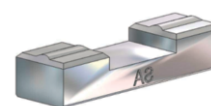
8JZ-028-1

Gripper points: steel hardened



8JZ-029-1

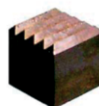
Crown-teeth: steel hardened



8JZ-037-1
8JZ-038-1
8JZ-039-1
8JZ-040-1 For transfer free of deformation and swarf

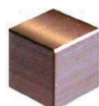
Gripper jaw, top: Gripper teeth, Gripper points, Crown teeth – Dimensions see page 17.53, 17.54, 17.55

Gripper teeth: steel hardened



8JZ-027-1

Gripper teeth: steel soft



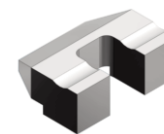
8JZ-028-1

Gripper points: steel hardened



8JZ-029-1

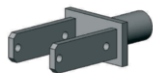
Crown-teeth: steel hardened



8JZ-036-2
For transfer free of deformation and swarf

Gripper jaw, top: Gripper teeth, Gripper points, Crown teeth – Dimensions see page 17.53, 17.54, 17.55

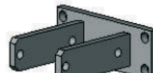
8MA-165-1
Ø 20 mm



8MA-166-1
Ø 25 mm



8MA-147-1



82ZB-025-2



8MA-168-1
Ø 1"



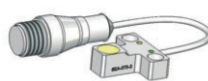
Adapters / Limit stops – Dimensions see page 17.56, 15.57

8EA-075-2
switching distance
3 mm
with 2m cable



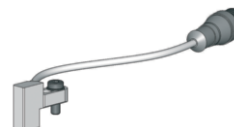
Für Mod.-Nr.:
84A2-11 /12 /14 /16 /17 /18
84A2-V1 /V2 /V4 /V6 /V7 /V8

8EA-075-3
switching distance
3 mm
with plug M12x12m cable



Für Mod.-Nr.:
84A2-11 /12 /14 /16 /17 /18
84A2-V1 /V2 /V4 /V6 /V7 /V8

8EA-087-1
workplace control



Shims for gripper teeth
order no.: **8SB-039-1**
(to be ordered separately)

Dimensions:
10 x 10 x 0,1 mm



Accessories

Opening angle limiter

Specification	Order no. for 84A2	Comment
for 45°	8MF-052-1	For change of opening angle (2parts necessary)
for 30°	8MF-051-1	

Series 84A2-V Product Overview

Features:

- small size, low weight
- fast opening and closing action
- high clamping force
- long life cycle
- roller and cam principle, self-locking at end stop position
- add-on component and end position sensing available
- Cylinder diameter 25
- Air consumption per double stroke: 0,3 dm³
- Air connectors G1/8

Application:

Gripping, holding, placing, removing and transporting of metal sheets and other parts, mainly in jigs, transfer presses and handling systems.

Key areas of application:

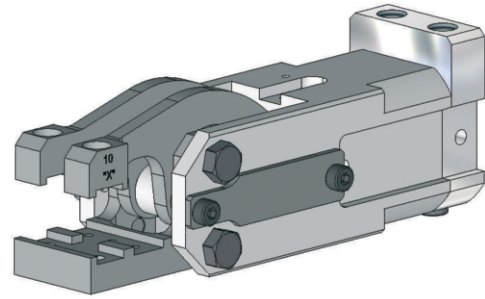
Automotive manufacturing, sheet processing industry, jig and general mechanical engineering.

Picture	Model	Clamping Force at 5 bar N [lbs]	Opening Angle	Weight Kg [lbs]	Opening/closure time min sec.
	84A2-V10000000	580 [120]	72° upper	0,6 [1.32]	0,2
	84A2XV10000000		30° upper		
	84A2YV10000000		45° upper		
	84A2-V20000000	360 [81]	72° upper	0,65 [1.43]	0,2
	84A2XV20000000		30° upper		
	84A2YV20000000		45° upper		
	84A2-V30000000	270 [61]	72° upper + lower	0,6 [1.32]	0,2
	84A2XV30000000		30° upper + lower		
	84A2YV30000000		45° upper + lower		
	84A2RV30000000	270 [61]	72° upper, 15° lower	0,6 [1.32]	0,2
	84A2TV30000000		45° upper, 15° lower		
	84A2-V40000000	580 [130]	72° upper	0,5 [0.11]	0,2
	84A2XV40000000		30° upper		
	84A2YV40000000		45° upper		
	84A2-V60000000	580 [130]	72° upper	0,5 [0.11]	0,2
	84A2XV60000000		30° upper		
	84A2YV60000000		45° upper		
	84A2-V70000000	580 [130]	72° upper	0,6 [1.32]	0,2
	84A2XV70000000		30° upper		
	84A2YV70000000		45° upper		
	84A2-V80000000	340 [76]	72° upper	0,65 [1.43]	0,2
	84A2XV80000000		30° upper		
	84A2YV80000000		45° upper		
	84A2-V90000000	400 [90]	45° upper	0,65 [1.43]	0,2
	84A2XV90000000		30° upper		

* The values of gripping forces include a safety factor 20%

Series 84A2-V Product Overview

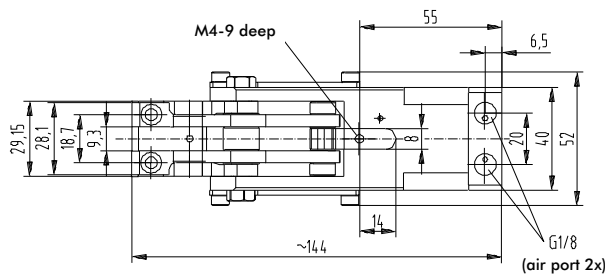
Model	Opening angle
84A2-V10000000	72°
84A2XV10000000	30°
84A2YV10000000	45°



Model	Clamping force at 5 bar ~N [lbs]	Piston Ø mm [in]	Air consumption per double stroke at 5 bar dm ³ [ft ³]	Weight ~ Kg [lbs]	Min Opening speed for max. opening sec.	Min Closing speed for max. opening sec.
84A2-V1 *****	580 [17]	25 [0.98]	0,3 [0.01]	0,6 [1.32]	0,2	0,2

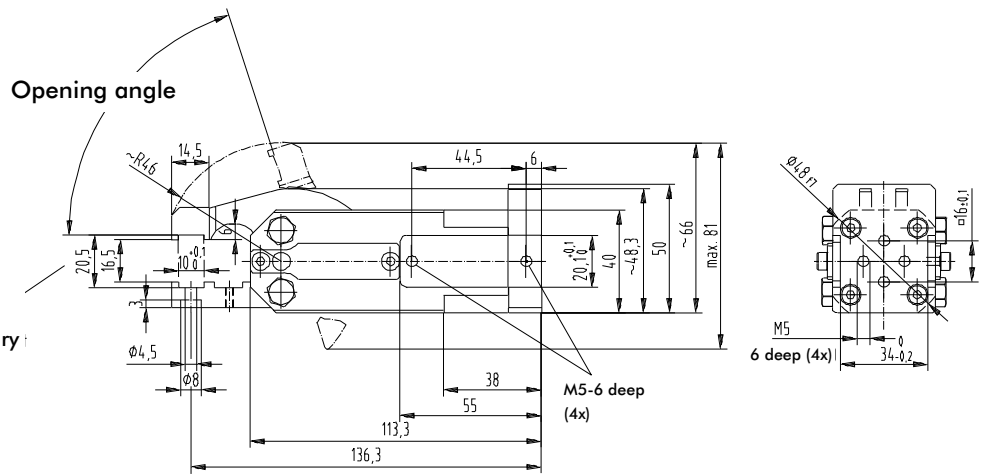
Note!

Any extension of the movable or fixed gripper jaws as well as the additional attachment of weights will repeal the guarantee.



Medium: air, min. 3 bar, max. 6 bar operation with oil-free air is permissible.

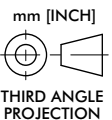
Attention!
Concept guidelines to be considered



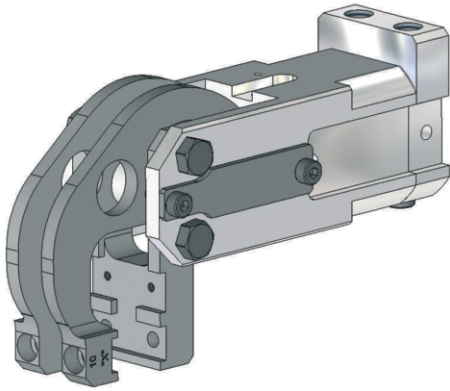
Note!

Addition of the gripper teeth height and thickness must be 20,5 mm. It might be necessary to use shim plates or to grind the gripper teeth.

Please order separately accessories such as gripper teeth, sensing and adaptors. See page 17.11



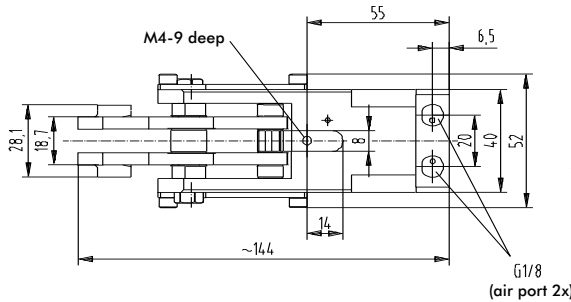
Series 84A2-V Product Overview



Model	Opening angle
84A2-V20000000	72°
84A2XV20000000	30°
84A2YV20000000	45°

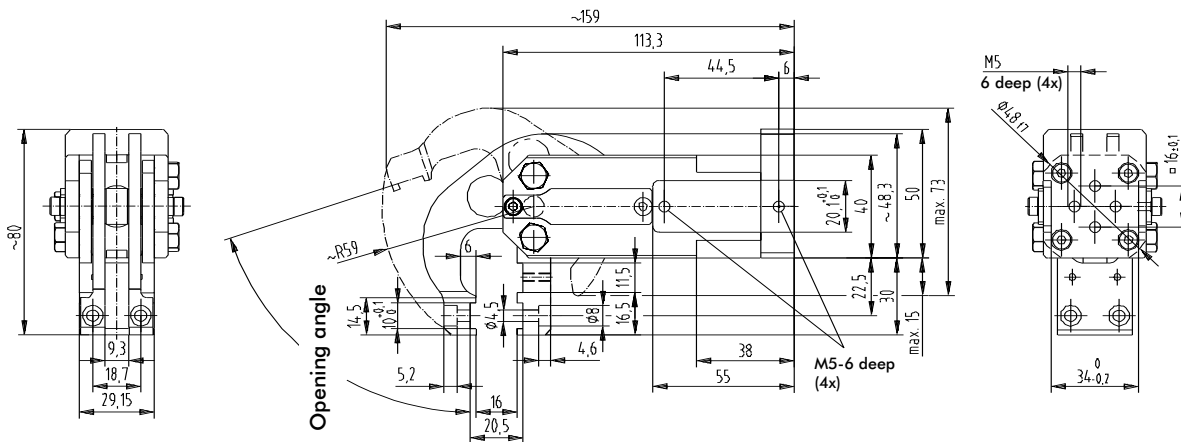
Model	Clamping force at 5 bar ~N [lbs]	Piston Ø mm [in]	Air consumption per double stroke at 5 bar dm³ [ft³]	Gewicht ~ Kg [lbs]	Min Opening speed for max. opening sec.	Min Closing speed for max. opening sec.
84A2-V2*****	360 [81]	25 [0.98]	0,3 [0.01]	0,65 [1.43]	0,2	0,2

Note!
Any extension of the movable or fixed gripper jaws as well as the additional attachment of weights will repeal the guarantee.

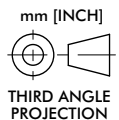


Medium: air, min. 3 bar, max. 6 bar operation with oil-free air is permissible.

Attention!
Concept guidelines to be considered



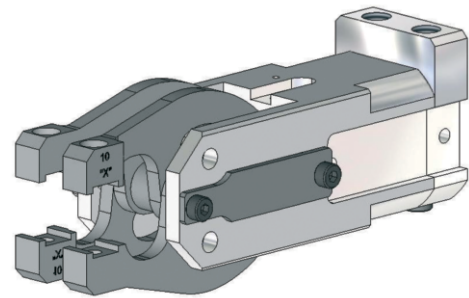
Note!
Addition of the gripper teeth height and thickness must be 20,5 mm. It might be necessary to use shim plates or to grind the gripper teeth.



Please order separately accessories such as gripper teeth, sensing and adaptors. See page 17.11

Series 84A2-V Product Overview

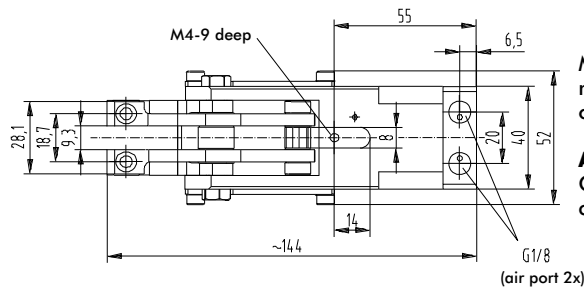
Model	Opening angle
84A2-V30000000	72°
84A2XV30000000	30°
84A2YV30000000	45°



Model	Clamping force at 5 bar ~N [lbs]	Piston Ø mm [in]	Air consumption per double stroke at 5 bar dm³ [ft³]	Gewicht ~ Kg [lbs]	Min Opening speed for max. opening sec.	Min Closing speed for max. opening sec.
84A2-V3*****	270 [61]	25 [0.98]	0,3 [0.01]	0,6 [1.32]	0,2	0,2

Note!

Any extension of the movable or fixed gripper jaws as well as the additional attachment of weights will repeal the guarantee.

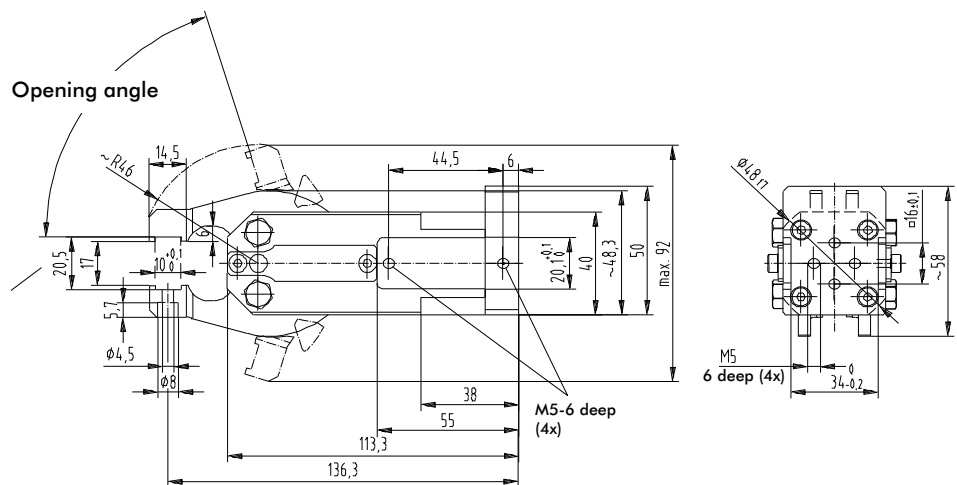


Medium: air, min. 3 bar, max. 6 bar operation with oil-free air is permissible.

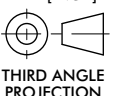
Attention!
Concept guidelines to be considered

Note!

Addition of the gripper teeth height and thickness must be 20,5 mm. It might be necessary to use shim plates or to grind the gripper teeth.



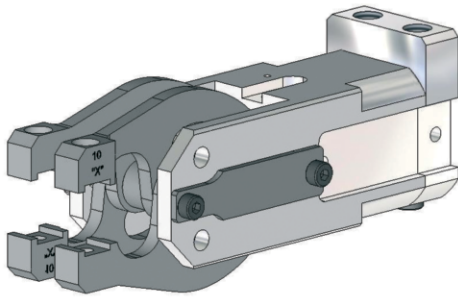
mm [INCH]



THIRD ANGLE PROJECTION

Please order separately accessories such as gripper teeth, sensing and adaptors. See page 17.11

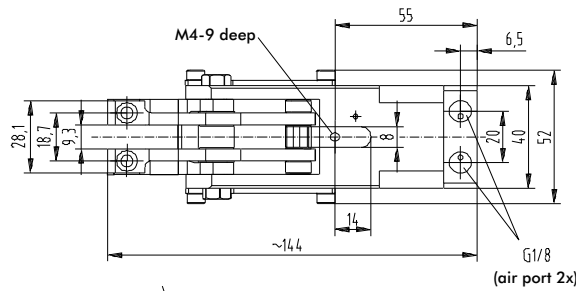
Series 84A2-V Product Overview



Model	Opening angle upper	Opening angle
84A2RV30000000	72°	15°
84A2TV30000000	45°	15°

Model	Clamping force at 5 bar ~N [lbs]	Piston Ø mm [in]	Air consumption per double stroke at 5 bar dm³ [ft³]	Gewicht ~ Kg [lbs]	Min Opening speed for max. opening sec.	Min Closing speed for max. opening sec.
84A2R(T)V3*****	270 [61]	25 [0.98]	0,3 [0.01]	0,6 [1.32]	0,2	0,2

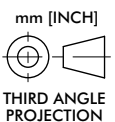
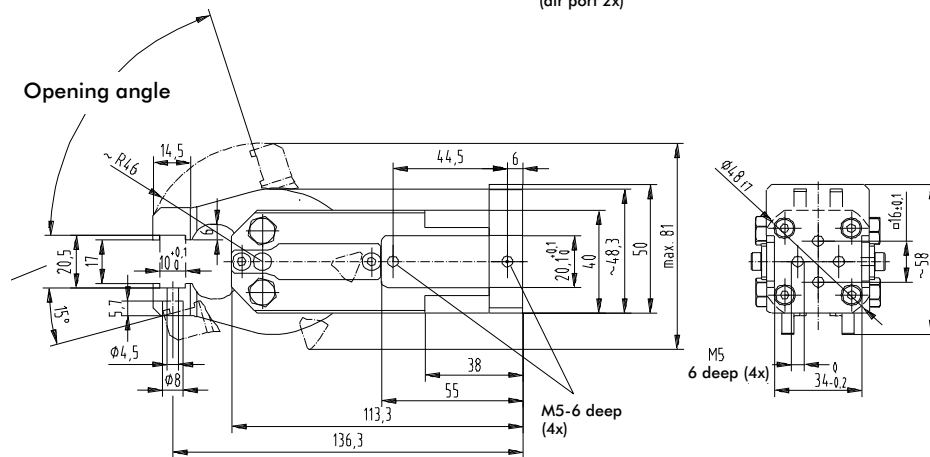
Note!
Any extension of the movable or fixed gripper jaws as well as the additional attachment of weights will repeal the guarantee.



Medium: air, min. 3 bar, max. 6 bar operation with oil-free air is permissible.

Attention!
Concept guidelines to be considered

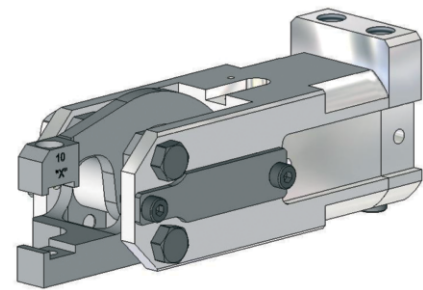
Note!
Addition of the gripper teeth height and thickness must be 20,5 mm. It might be necessary to use shim plates or to grind the gripper teeth.



Please order separately accessories such as gripper teeth, sensing and adaptors. See page 17.11

Series 84A2-V Product Overview

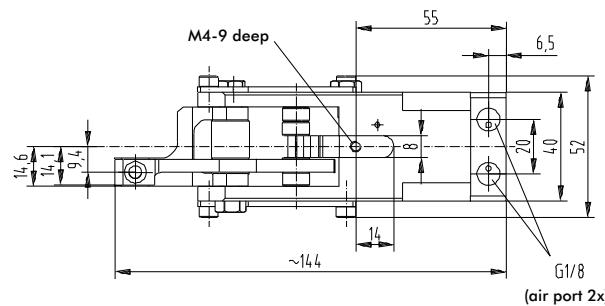
Model	Opening angle
84A2-V40000000	72°
84A2XV40000000	30°
84A2YV40000000	45°



Model	Clamping force at 5 bar ~N [lbs]	Piston Ø mm [in]	Air consumption per double stroke at 5 bar dm³ [ft³]	Gewicht ~ Kg [lbs]	Min Opening speed for max. opening sec.	Min Closing speed for max. opening sec.
84A2-V4*****	580 [130]	25 [0.98]	0,3 [0.01]	0,5 [0.11]	0,2	0,2

Note!

Any extension of the movable or fixed gripper jaws as well as the additional attachment of weights will repeal the guarantee.

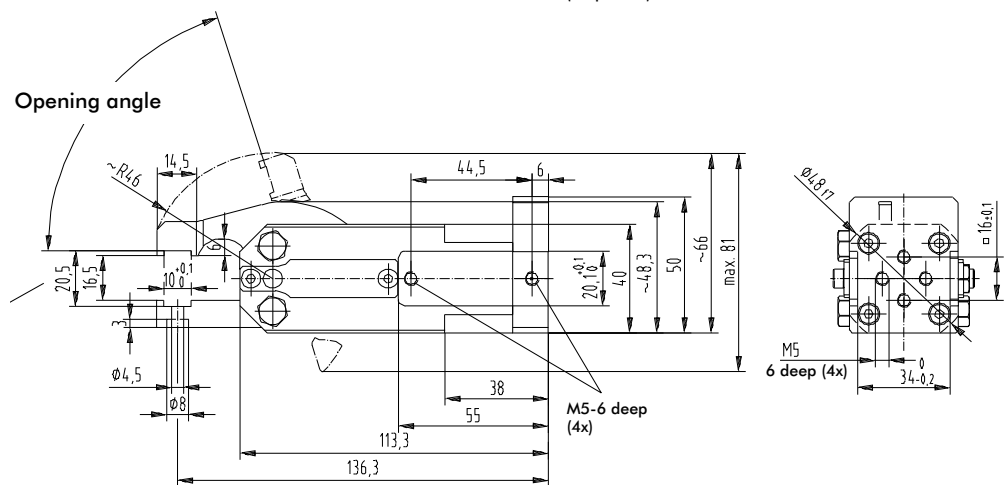


Medium: air, min. 3 bar, max. 6 bar operation with oil-free air is permissible.

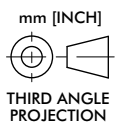
Attention!
Concept guidelines to be considered

Note!

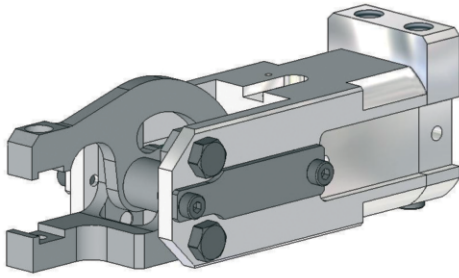
Addition of the gripper teeth height and thickness must be 20,5 mm. It might be necessary to use shim plates or to grind the gripper teeth.



Please order separately accessories such as gripper teeth, sensing and adaptors. See page 17.11

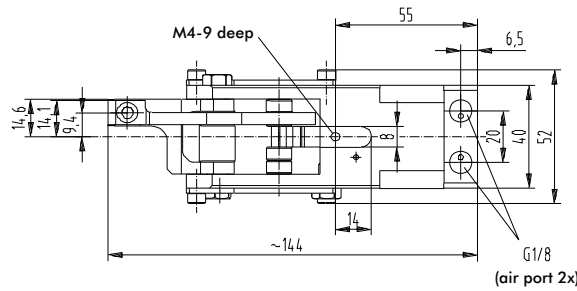


Series 84A2-V Product Overview



Model	Opening angle
84A2-V60000000	72°
84A2XV60000000	30°
84A2YV60000000	45°

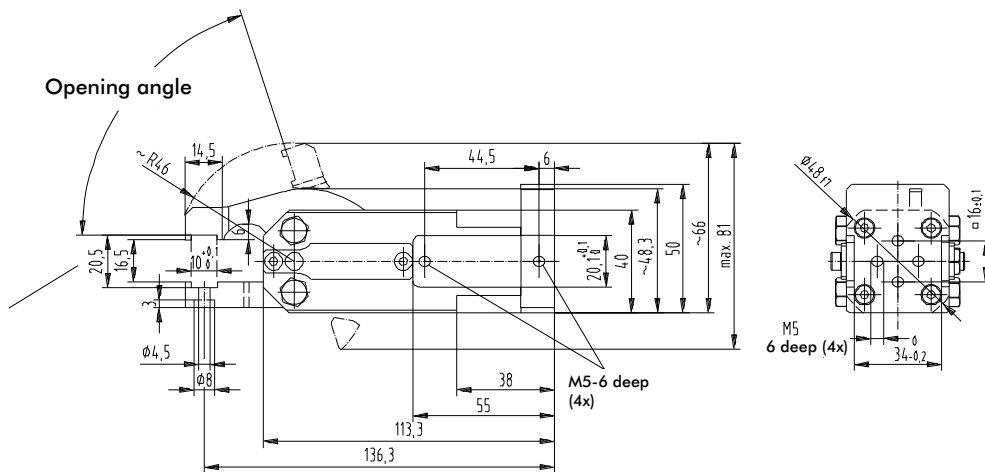
Model	Clamping force at 5 bar ~N [lbs]	Piston Ø mm [in]	Air consumption per double stroke at 5 bar dm³ [ft³]	Gewicht ~ Kg [lbs]	Min Opening speed for max. opening sec.	Min Closing speed for max. opening sec.
84A2-V6*****	580 [130]	25 [0.98]	0,3 [0.01]	0,5 [0.11]	0,2	0,2



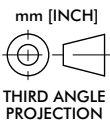
Medium: air, min. 3 bar, max. 6 bar operation with oil-free air is permissible.

Attention!
Concept guidelines to be considered

Note!
Any extension of the movable or fixed gripper jaws as well as the additional attachment of weights will repeal the guarantee.



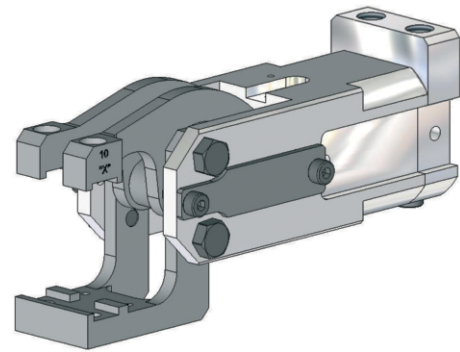
Note!
Addition of the gripper teeth height and thickness must be 20,5 mm. It might be necessary to use shim plates or to grind the gripper teeth.



Please order separately accessories such as gripper teeth, sensing and adaptors. See page 17.11

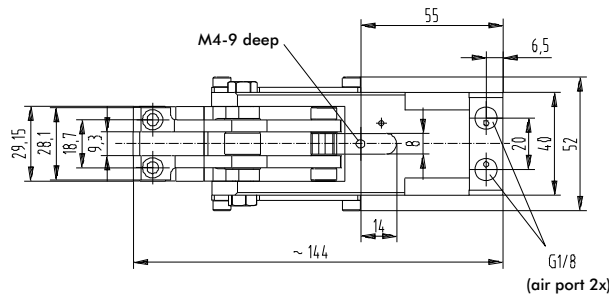
Series 84A2-V Product Overview

Model	Opening angle
84A2-V70000000	72°
84A2XV70000000	30°
84A2YV70000000	45°



Model	Clamping force at 5 bar ~N [lbs]	Piston Ø mm [in]	Air consumption per double stroke at 5 bar dm³ [ft³]	Gewicht ~ Kg [lbs]	Min Opening speed for max. opening sec.	Min Closing speed for max. opening sec.
84A2-V7*****	580 [130]	25 [0.98]	0,3 [0.01]	0,6 [1.32]	0,2	0,2

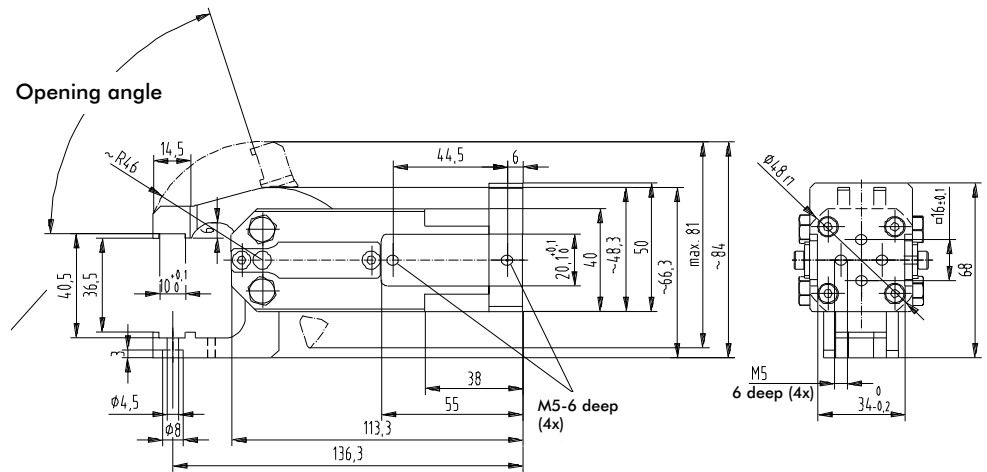
Note!
Any extension of the movable or fixed gripper jaws as well as the additional attachment of weights will repeal the guarantee.



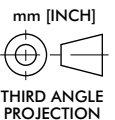
Medium: air, min. 3 bar, max. 6 bar operation with oil-free air is permissible.

Attention!
Concept guidelines to be considered

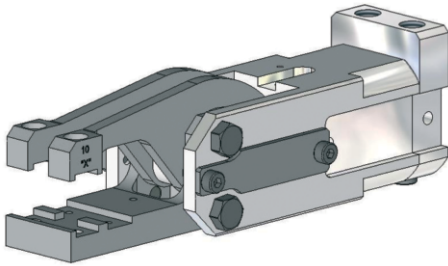
Note!
Addition of the gripper teeth height and thickness must be 20,5 mm. It might be necessary to use shim plates or to grind the gripper teeth.



Please order separately accessories such as gripper teeth, sensing and adaptors. See page 17.11

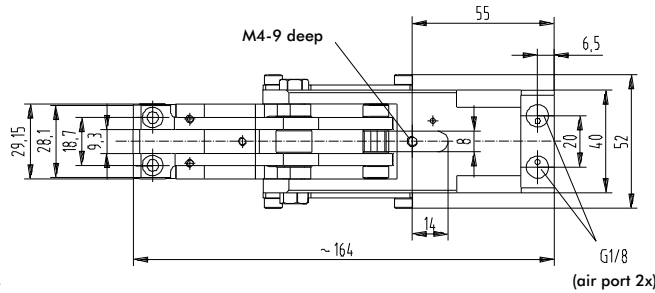


Series 84A2-V Product Overview



Model	Opening angle
84A2-V80000000	72°
84A2XV80000000	30°
84A2YV80000000	45°

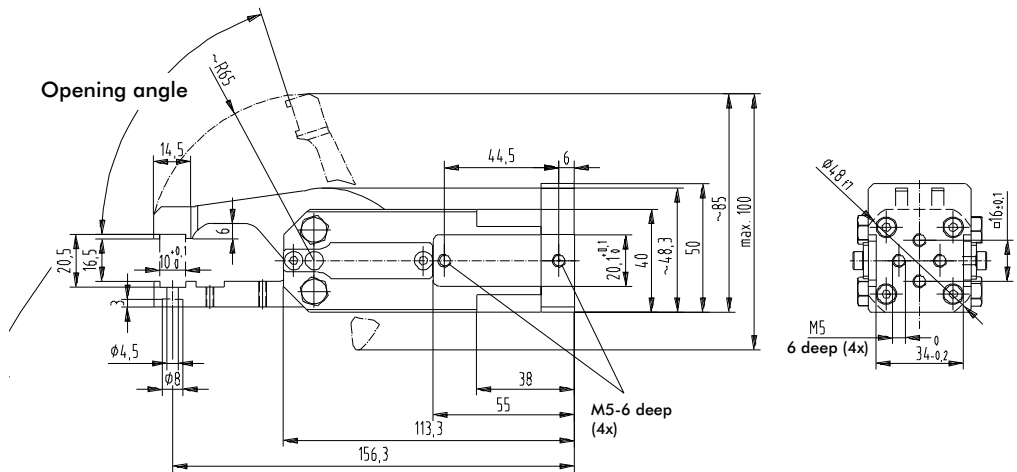
Model	Clamping force at 5 bar ~N [lbs]	Piston Ø mm [in]	Air consumption per double stroke at 5 bar dm³ [ft³]	Gewicht ~ Kg [lbs]	Min Opening speed for max. opening sec.	Min Closing speed for max. opening sec.
84A2-V8*****	340 [76]	25 [0.98]	0,3 [0.01]	0,65 [1.43]	0,2	0,2



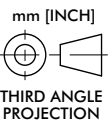
Medium: air, min. 3 bar, max. 6 bar operation with oil-free air is permissible.

Attention!
Concept guidelines to be considered

Note!
Any extension of the movable or fixed gripper jaws as well as the additional attachment of weights will repeal the guarantee.



Note!
Addition of the gripper teeth height and thickness must be 20,5 mm. It might be necessary to use shim plates or to grind the gripper teeth.



Please order separately accessories such as gripper teeth, sensing and adaptors. See page 17.11

