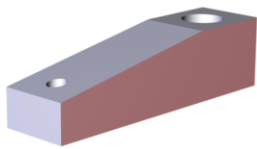


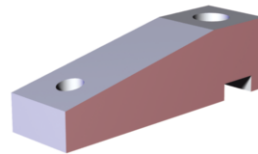
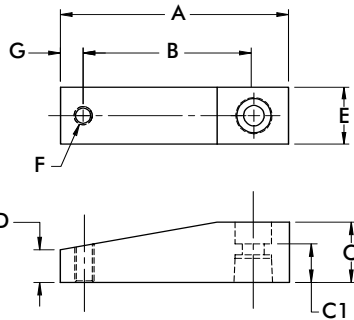
Standard Clamping Arm

Features:

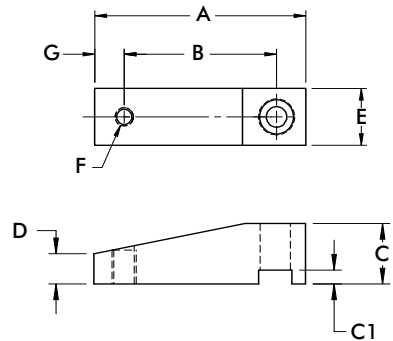
- For standard use
- Aluminum construction



Type A



Type B



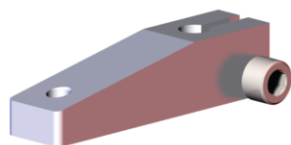
Part Number	Type	Used with Model/series	A	B	C	C1	D	E	F	G	Weight [lbs] kg
8JG-215-1	A	89R20-010-2	[2.64]	[2.05]	[0.59]	[0.33]	[0.24]	[0.59]	M6	[0.28]	[0.08]
		89B20-010-1	67	52	15	8.5	6	15		7	0.04
		89E20-010-1									
8JG-217-1	A	89R32-010-2	[3.15]	[2.36]	[0.79]	[0.37]	[0.33]	[0.79]	M8	[0.39]	[0.14]
		89B30-010-1	80	60	20	9.5	8.5	20		10	0.06
		89E30-010-1									
8JG-218-1	A	89R40-010-2	[3.74]	[2.76]	[0.98]	[0.45]	[0.55]	[0.98]	M8	[0.39]	[0.28]
		89R40-025-2	95	70	25	11.5	14	25		10	0.13
		89B40-010-1									
8JG-219-1	A	89R50-025-2	[4.17]	[3.15]	[1.18]	[0.59]	[0.67]	[1.18]	M8	[0.39]	[0.42]
		89B50-025-1	106	80	30	15	17	30		10	0.19
		89E50-025-1									
8JG-220-1	A	89R63-025-2	[4.72]	[3.54]	[1.38]	[0.67]	[0.79]	[1.38]	M10	[0.47]	[0.66]
		89B63-008-1	120	90	35	17	20	35		12	0.30
		89E63-008-1									
801528	A	8015/8016	[1.74]	[1.11]	[0.37]	[0.33]	[0.25]	[0.62]	#10-32	[0.32]	[0.03]
		8115/8116	44.2	28.2	9.4	8.3	6.4	15.7		8.1	0.01
801529	A	8015/8016	[2.87]	[2.24]	[0.37]	[0.33]	[0.25]	[0.62]	#10-32	[0.32]	[0.05]
		8115/8116	72.9	56.9	9.4	8.3	6.4	15.7		8.1	0.02
821512	A	8215/8216	[2.75]	[2.00]	[0.75]	[0.57]	[0.38]	[0.75]	3/8-16	[0.38]	[0.04]
		8415/8416	69.9	50.8	19.1	14.5	9.5	19.1		9.5	0.02
		8315/8316									
821513	A	8215/8216	[3.75]	[3.00]	[0.75]	[0.57]	[0.38]	[0.75]	3/8-16	[0.38]	[0.05]
		8315/8316	95.3	76.2	19.1	14.5	9.5	19.1		9.5	0.02
841512	A	8415/8416	[2.31]	[1.56]	[0.75]	[0.57]	[0.38]	[0.75]	3/8-16	[0.38]	[0.03]
			58.7	39.7	19.1	14.5	9.5	19.1		9.5	0.01
952250	B	9522	[2.28]	[1.77]	[0.59]	[0.16]	[0.30]	[0.59]	M6	[0.20]	[0.06]
			58	45	15	4	7.5	15		5	0.03
952253	B	9522	[3.07]	[2.56]	[0.59]	[0.16]	[0.30]	[0.59]	M6	[0.20]	[0.08]
			78	65	15	4	7.5	15		5	0.04
954050	B	9530/9540	[2.76]	[1.97]	[0.79]	[0.18]	[0.39]	[0.79]	M8	[0.39]	[0.12]
			70	50	20	4.6	10	20		10	0.05
954053	B	9530/9540	[3.94]	[3.15]	[0.79]	[0.18]	[0.39]	[0.79]	M8	[0.39]	[0.18]
			100	80	20	4.6	10	20		10	0.08



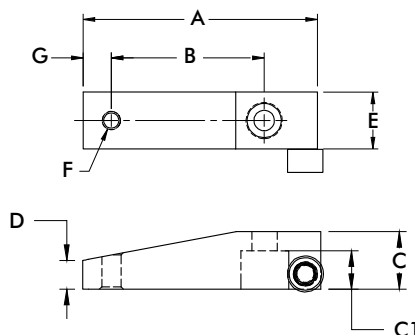
Standard Clamping Arm

Features:

- For standard use
- Aluminum construction



Type C



Part Number	Type	Used with Model/series	A	B	C	C1	D	E	F	G	Weight [lbs] kg
036-551-01	C	035-125-190	[2.38]	[1.36]	[0.63]	[0.40]	[0.31]	[0.75]	1/4-20	[0.32]	[0.10]
		035-125-290	60.5	34.5	15.9	10.2	8.0	19.1			
		035-225-190									
		035-225-290									
036-551-02	C	035-125-190	[3.38]	[2.36]	[0.63]	[0.40]	[0.31]	[0.75]	1/4-20	[0.32]	[0.13]
		035-125-290	85.9	60.0	15.9	10.2	8.0	19.1			
		035-225-190									
		035-225-290									
036-630-01	C	035-132-190	[3.10]	[2.00]	[0.75]	[0.50]	[0.38]	[0.75]	5/16-18	[0.38]	[0.15]
		035-132-290									
		035-232-190									
		035-232-290									
		035-140-190									
		035-140-290									
036-630-02	C	035-132-190	[4.73]	[3.63]	[0.75]	[0.50]	[0.38]	[0.75]	5/16-18	[0.38]	[0.21]
		035-132-290									
		035-232-190									
		035-232-290									
		035-140-190									
		035-140-290									
036-787-01	C	035-150-190	[4.00]	[2.75]	[1.00]	[0.70]	[0.50]	[1.00]	3/8-16	[0.38]	[0.33]
		035-150-290									
		035-250-190									
		035-250-290									
036-787-02	C	035-150-190	[6.36]	[5.00]	[1.00]	[0.70]	[0.50]	[1.00]	3/8-16	[0.38]	[0.49]
		035-150-290									
		035-250-190									
		035-250-290									