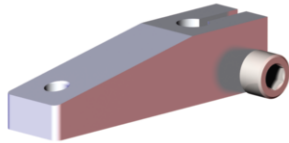


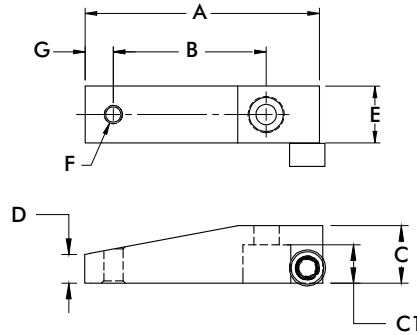
Standard Clamping Arm

Features:

- For standard use
- Aluminum construction



Type C



Part Number	Type	Used with Model/series	A	B	C	C1	D	E	F	G	Weight [lbs] kg
036-551-01	C	035-125-190	[2.38]	[1.36]	[0.63]	[0.40]	[0.31]	[0.75]	1/4-20	[0.32] 8.0	[0.10] 0.05
		035-125-290	60.5	34.5	15.9	10.2	8.0	19.1			
		035-225-190									
		035-225-290									
036-551-02	C	035-125-190	[3.38]	[2.36]	[0.63]	[0.40]	[0.31]	[0.75]	1/4-20	[0.32] 8.0	[0.13] 0.06
		035-125-290	85.9	60.0	15.9	10.2	8.0	19.1			
		035-225-190									
		035-225-290									
036-630-01	C	035-132-190	[3.10] 78.7	[2.00] 50.8	[0.75] 19.1	[0.50] 12.7	[0.38] 9.5	[0.75] 19.1	5/16-18	[0.38] 9.5	[0.15] 0.07
		035-132-290									
		035-232-190									
		035-232-290									
		035-140-190									
		035-140-290									
036-630-02	C	035-132-190	[4.73] 120.0	[3.63] 92.1	[0.75] 19.1	[0.50] 12.7	[0.38] 9.5	[0.75] 19.1	5/16-18	[0.38] 9.5	[0.21] 0.10
		035-132-290									
		035-232-190									
		035-232-290									
		035-140-190									
		035-140-290									
036-787-01	C	035-150-190	[4.00] 101.6	[2.75] 69.9	[1.00] 25.4	[0.70] 17.8	[0.50] 12.7	[1.00] 25.4	3/8-16	[0.38] 9.5	[0.33] 0.15
		035-150-290									
		035-250-190									
		035-250-290									
036-787-02	C	035-150-190	[6.36] 161.5	[5.00] 127.0	[1.00] 25.4	[0.70] 17.8	[0.50] 12.7	[1.00] 25.4	3/8-16	[0.38] 9.5	[0.49] 0.22
		035-150-290									
		035-250-190									
		035-250-290									