

Series **870-2, 871-2** Standard Pneumatic Clamps

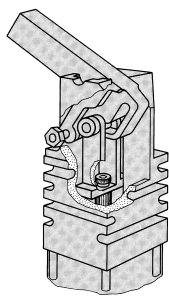
Light duty version for large scale production

Thanks to their design power clamps with the roller and cam principle automatically compensate for workpiece tolerances. When being clamped, the clamp arm of model 870-2 is in the vertical position, whereas the clamp arm of model 871-2 is in the horizontal position. The assembly plate which is included in the scope of delivery allows easy fastening of the clamps.

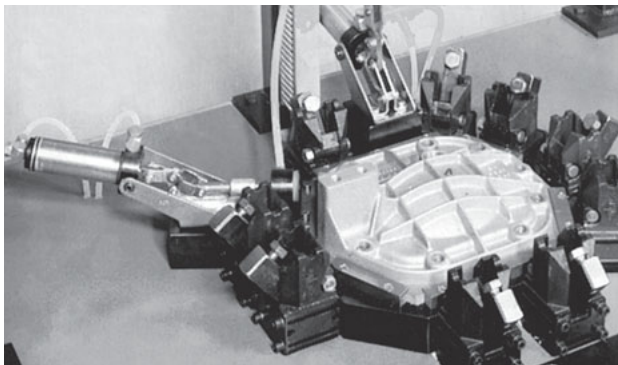
The cylinders are equipped with a magnetic piston for end position sensing. The sensors (BIM-IKE-AP) must be ordered separately, 2 pieces are required.

Standard equipment:

- 1 assembly plate, part no. 870116
- 2 restrictor connections



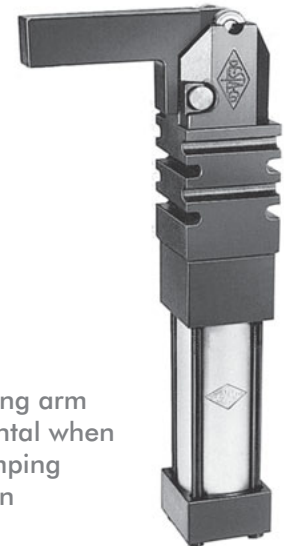
Roller and cam mechanism of the models 870-2 and 871-2



Power clamp models 871-2 and 803-MF on a pressure test fixture for vehicle gearbox lids



870-2
clamping arm vertical when in clamping position



871-2
clamping arm horizontal when in clamping position

Series **870-2, 871-2** Technical Information

Model	Opening-\	holding torque max. Nm [ft lb]	clamping torque at 5 bar Nm [ft lb]
870-2	112°	260 [192]	60 [44]
871-2	118°	260 [192]	60 [44]

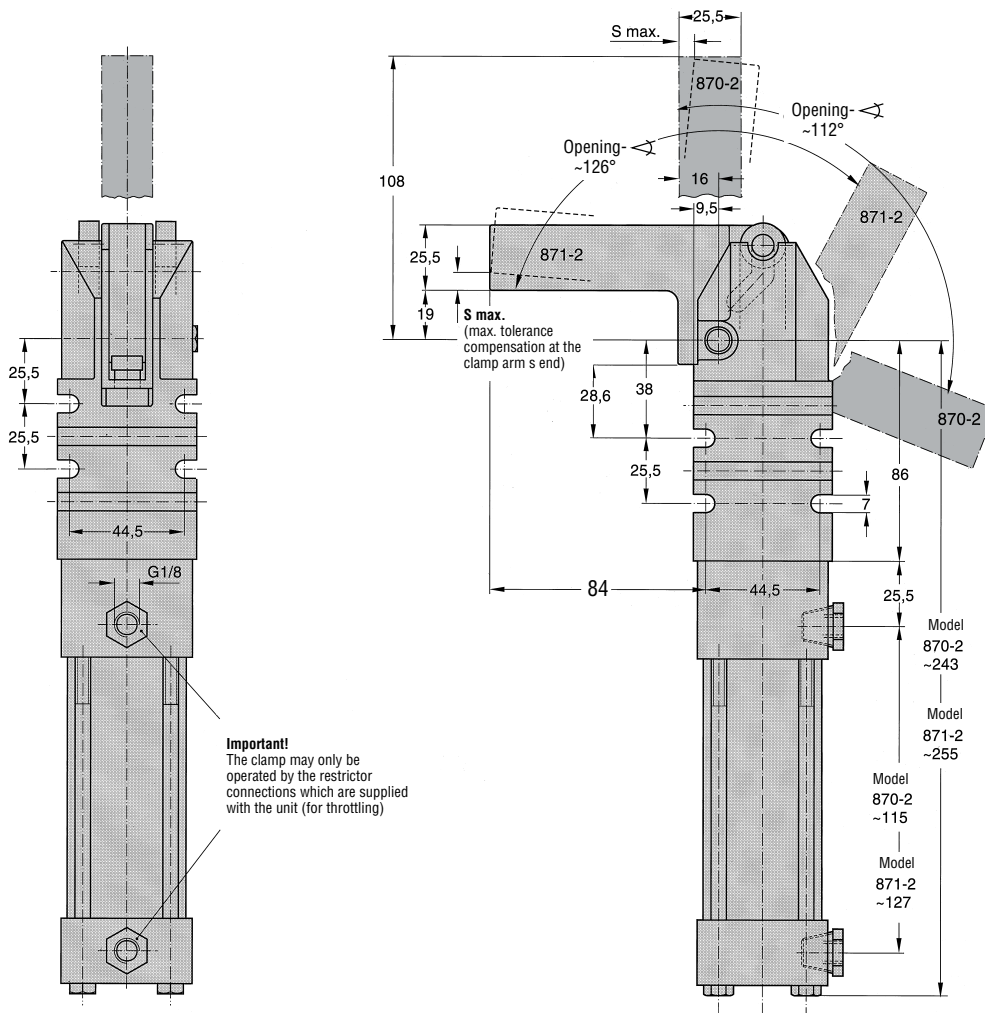


Sensors (order separately)

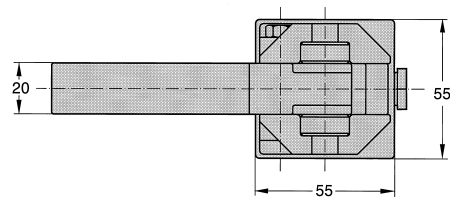
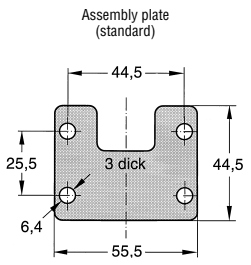
Part no.	Description	Notes
BIM-IKE-AP	Sensor	2 pieces required

Series 870-2, 871-2 Standard Pneumatic Clamps

Power clamps with the roller and cam principle



Important!
The clamp may only be operated by the restrictor connections which are supplied with the unit (for throttling)



mm [INCH]
THIRD ANGLE PROJECTION

Model	S max. max. tolerance compensation at the clamp arm s end Nm [ft lb]	max. operating pressure bar [psi]	air consumption at 5 bar dm ³ [ft ³]	connection	weight ~ kg [lbs]
870-2	4,5 [3]	10 [145]	0,95 [0.03]	G1/8	3 [6.60]
871-2	3,5 [3]	10 [145]	0,95 [0.03]	G1/8	3 [6.60]