

Series 858 Product Overview

Features:

- Hardened pins and bushing at all pivot points for long lifecycle
- Large, solid clamping arm is easily modified to suit application requirements
- Sensor ready for round or T-slot style sensors

Applications:

- Assembly
- Welding

Also Available:

See page 13.1 for sensing options

- ▲ 858
- 858-E



Series 858 Technical Information, Holding Capacities

Model	Maximum Holding Capacity		Max. Exerting Force @ 5bar [72PSI]		Max. Pressure at Max. Mechanical Advantage† bar [PSI]		Weight	Port Size
	Inner	Outer	Inner	Outer	Inner	Outer		
▲ 858	[4,000 lbf] 17800 N	[2,000 lbf] 8900 N	[1,530 lbf] 6857 N	[800 lbf] 3585 N	10 [145]	5,3 [77]	[16.11lb] 7.31kg	1/4 NPT
■ 858-E								G-1/4

See Technical Appendix Section for details. Preferred Market: ▲ NA ■ Europe/SA ● Global

**Max Cylinder Pressure:** 10bar [145psig]\*

**Max Operating Temp:** -10°C to 90°C [-14°F to 194°F]

**Replacement Seal Kit:** 850450-63-1-00

\*In no case should the inlet pressure be high enough to create an exerting force that exceeds the clamps' holding capacity.

**Sensor Accessories**

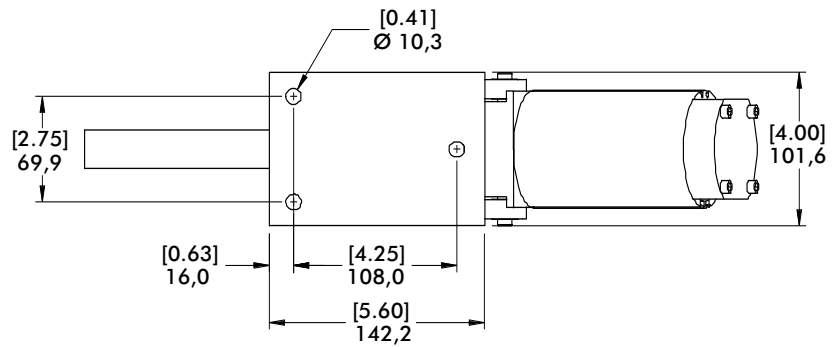
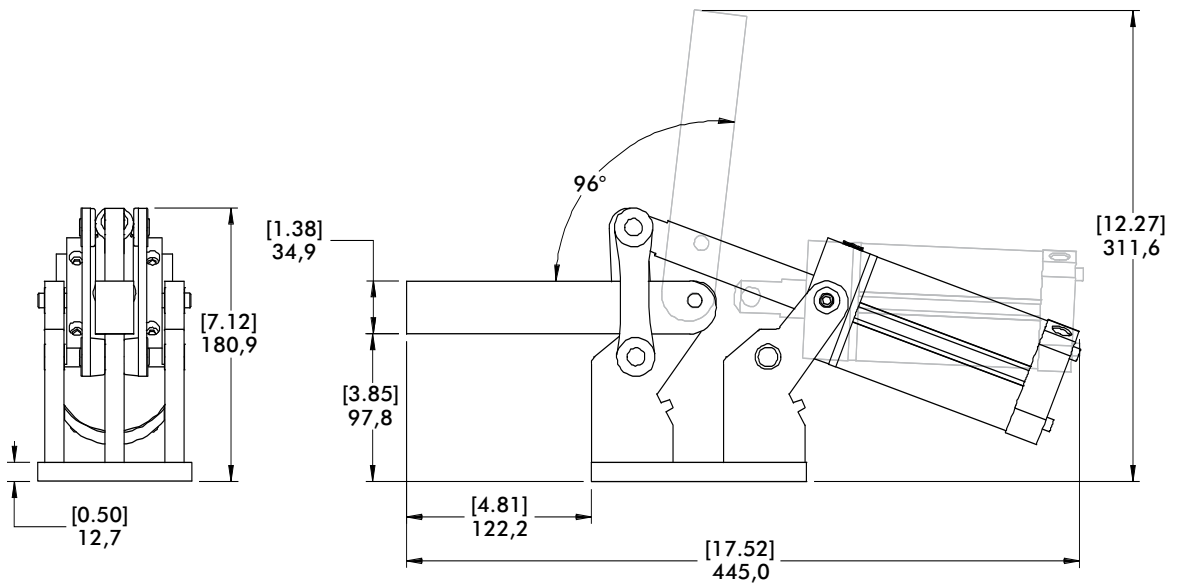
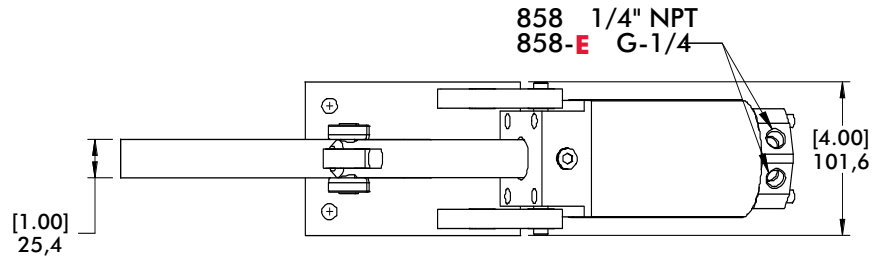
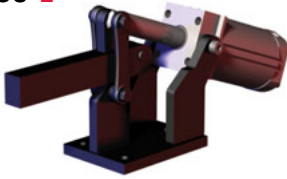
	Item Number
Round Reed Switch with Quick Disconnect	810169
T-slot Reed Switch with Quick Disconnect	8EA-109-1
Quick Disconnect 2M Extension Cable	CABL-010
Quick Disconnect 5M Extension Cable	CABL-013

See Pneumatic Accessories section for more options

Series 858 Standard Clamp Dimensions

▲ 858

■ 858-E



mm [INCH]

THIRD ANGLE PROJECTION