

Series 810 Product Overview

Features:

- Pneumatic version of Series 210 manual clamps
- Sensor ready for round or T-slot style sensors
- Built-in flow restriction eliminates need for external flow controls

Applications:

- Assembly
- Welding

Also Available:

- See page 8.1 for spindle accessories
- See page 13.1 for sensing options

▲ 810-U
■ 810-UE



▲ 810-S
■ 810-SE



Series 810 Technical Information, Holding Capacities

Model	Maximum Holding Capacity		Max. Exerting Force @ 5bar [72PSI]		Weight	Port Size	Spindle Accessory (Supplied)
	Inner	Outer	Inner	Outer			
▲ 810-U	[600 lbf] 2670 N	[290 lbf] 1290 N	[856 lbf] 3834 N			1/8 NPT	235106 (Flanged Washers)
■ 810-UE				[407 lbf] 1823 N	[4.07lb] 1,85kg	G-1/8	240208-M (Spindle)
▲ 810-S	[750 lbf] 3340 N	[500 lbf] 2220 N	[702 lbf] 3143 N			1/8 NPT	210114 (Bolt Retainer)
■ 810-SE						G-1/8	

See Technical Appendix Section for details. Preferred Market: ▲ NA ■ Europe/SA ● Global

Max Cylinder Pressure: 10bar [145psig]*

Max Operating Temp: -10°C to 90°C [-14°F to 194°F]

Replacement Seal Kit: 810450-40-1-00

*In no case should the inlet pressure be high enough to create an exerting force that exceed's the clamps' holding capacity.

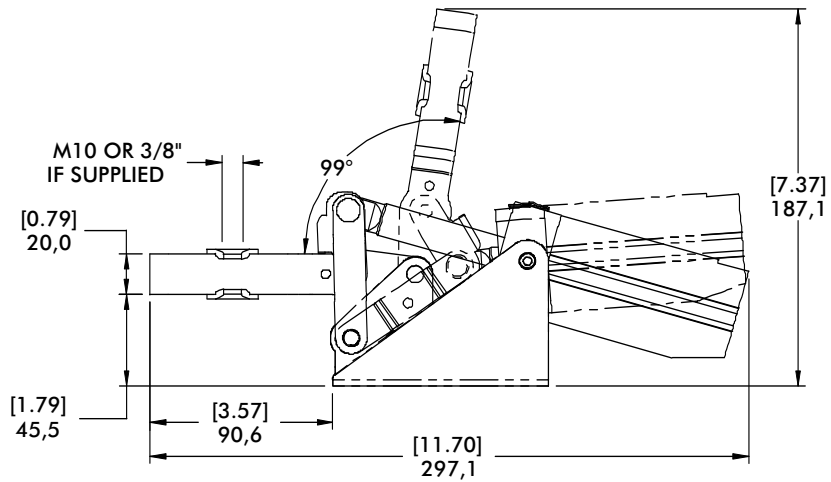
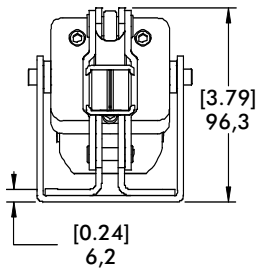
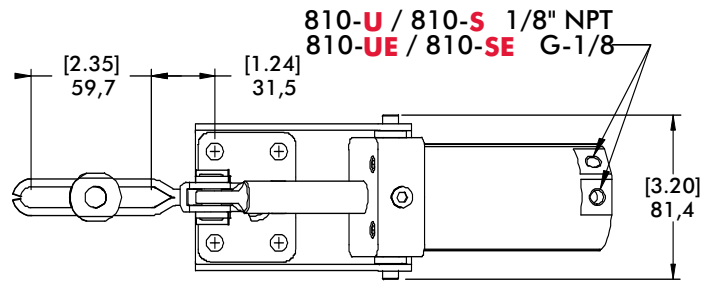
Sensor Accessories

	Item Number
Round Reed Switch with Quick Disconnect	810169
T-slot Reed Switch with Quick Disconnect	8EA-109-1
Quick Disconnect 2M Extension Cable	CABL-010
Quick Disconnect 5M Extension Cable	CABL-013

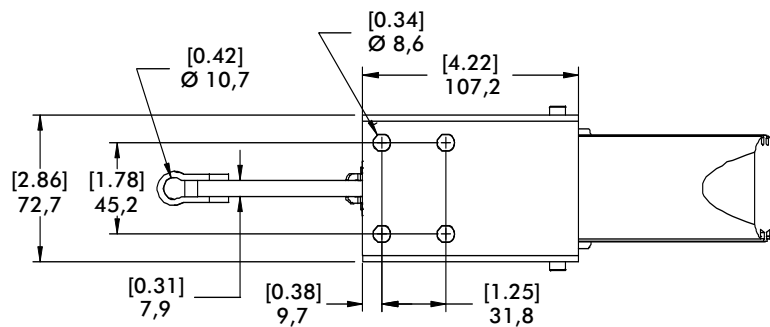
See Pneumatic Accessories section for more options

Series 810 Standard Clamp Dimensions
-U/-UE/-S/-SE

▲ 810-U
■ 810-UE



▲ 810-S
■ 810-SE



mm [INCH]
THIRD ANGLE PROJECTION