

Series 807 Product Overview

Features:

- Pneumatic version of Series 207 manual clamps
- Sensor ready for round or T-slot sensors.
- Built-in flow restriction eliminates need for external flow controls

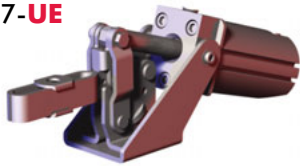
Applications:

- Assembly
- Welding

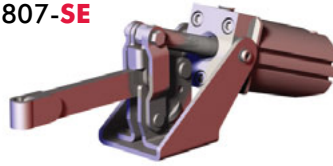
Also Available:

See page 8.1 for spindle accessories
 See page 13.1 for sensing options
 High temperature version available
 Upon Request, add **-HT** to model number. Example: 807-U-**HT**

▲ 807-U
 ■ 807-UE



▲ 807-S
 ■ 807-SE



Series 807 Technical Information, Holding Capacities

Model	Maximum Holding Capacity		Max. Exerting Force @ 5bar [72PSI]		Weight	Port Size	Spindle Accessory (Supplied)
	Inner	Outer	Inner	Outer			
▲ 807-U	[375 lbf] 1670 N	[275 lbf] 1220 N	[576 lbf] 2573 N	[297 lbf] 1327 N	[1.66lb] 0,75kg	1/8 NPT	507107 (Flanged Washers)
■ 807-UE						G-1/8	2007208-M (Spindle)
▲ 807-S	[500 lbf] 2220 N	[260 lbf] 1160 N	[540 lbf] 2412 N	[180 lbf] 804 N		1/8 NPT	207107
■ 807-SE						G-1/8	(Bolt Retainer)

See Technical Appendix Section for details. Preferred Market: ▲ NA ■ Europe/SA ● Global

Max Cylinder Pressure: 10bar [145psig]*

Max Operating Temp: -10°C to 90°C [-14°F to 194°F]

Replacement Seal Kit: 802450-32-1-00

*In no case should the inlet pressure be high enough to create an exerting force that exceed's the clamps' holding capacity.

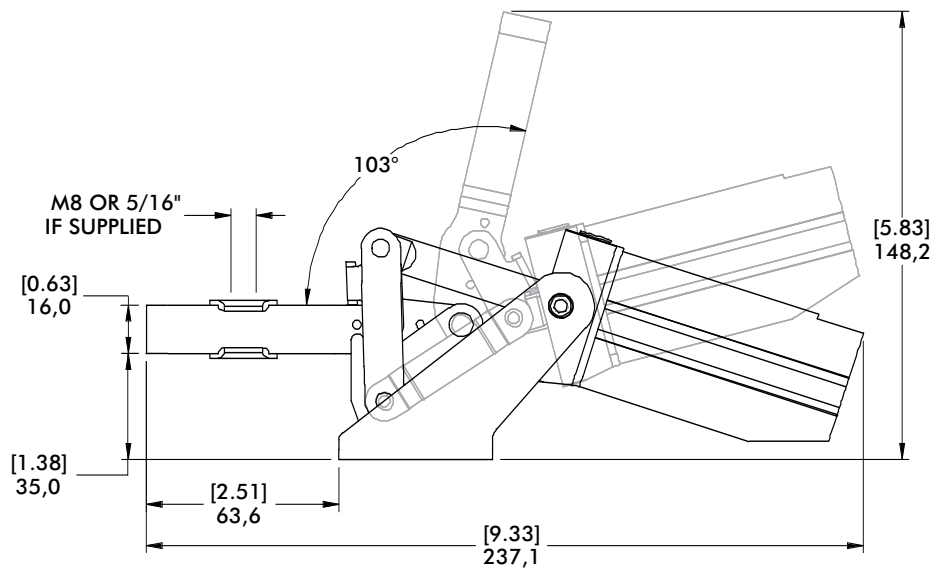
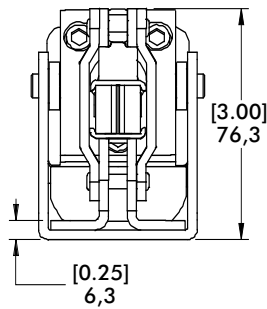
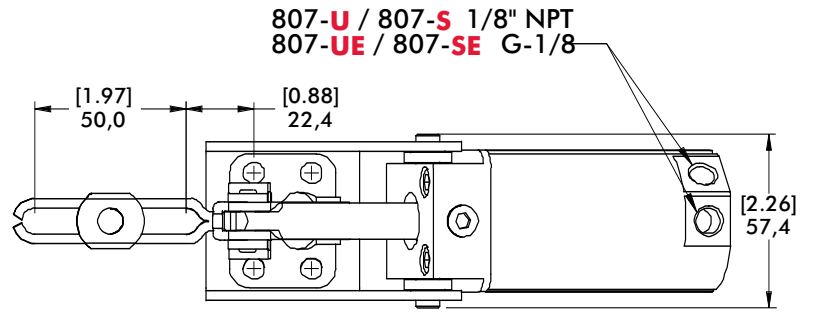
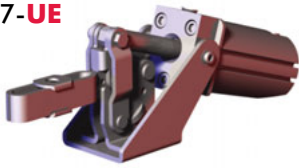
Sensor Accessories

	Item Number
Round Reed Switch with Quick Disconnect	810169
T-slot Reed Switch with Quick Disconnect	8EA-109-1
Quick Disconnect 2M Extension Cable	CABL-010
Quick Disconnect 5M Extension Cable	CABL-013

See Pneumatic Accessories section for more options

Series 807 Standard Clamp Dimensions
-U/-UE/-S/-SE

▲ 807-U
■ 807-UE



▲ 807-S
■ 807-SE

