

Series 802 Product Overview

Features:

- Pneumatic version of Model 202-U
- Sensor ready for T-slot or round sensors

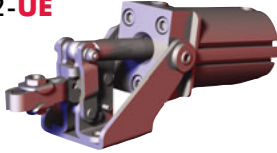
Applications:

- Assembly
- Welding

Also Available:

See page 8.1 for spindle accessories
 See page 13.1 for sensing options
 High temperature version available
 Upon Request, add **-HT** to model number. Example: 802-U-**HT**

- ▲ 802-U
- 802-UE



Series 802 Technical Information, Holding Capacities

Model	Maximum Holding Capacity		Max. Exerting Force @ 5bar [72PSI]		Weight	Port Size	Spindle Accessory (Supplied)
	Inner	Outer	Inner	Outer			
▲ 802-U	[200 lbf] 890 N	[110 lbf] 490 N	[450 lbf] 2010 N	[234 lbf] 1045 N	[1.60lb] 0,73kg	1/8 NPT G-1/8	202208-M
■ 802-UE							

See Technical Appendix Section for details. Preferred Market: ▲ NA ■ Europe/SA ● Global

Max Cylinder Pressure: 10bar [145psig]*
Max Operating Temp: -10°C to 90°C [-14°F to 194°F]
Replacement Seal Kit: 802450-32-1-00

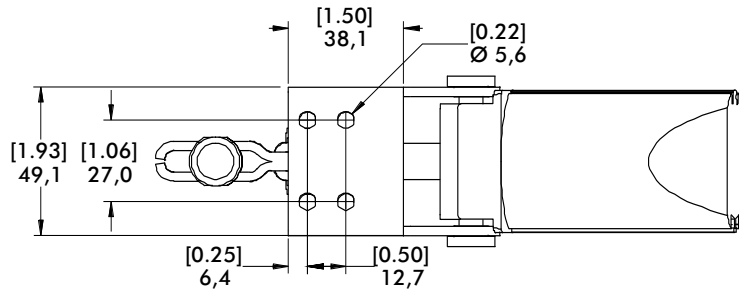
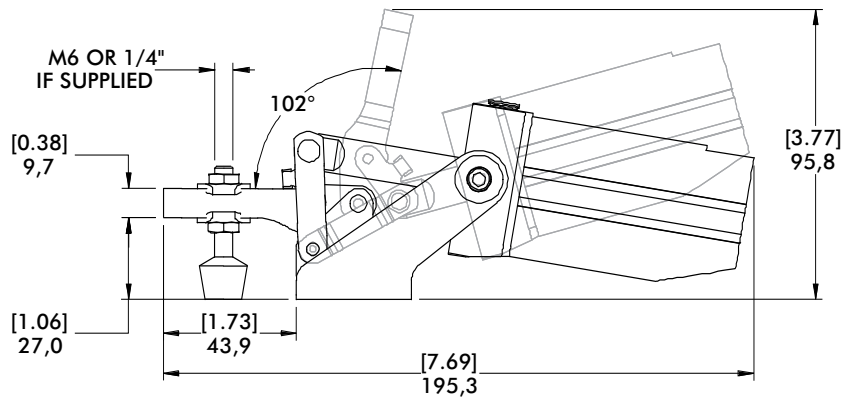
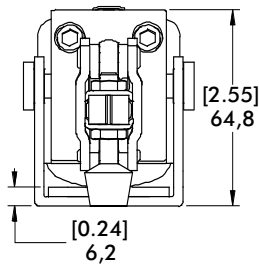
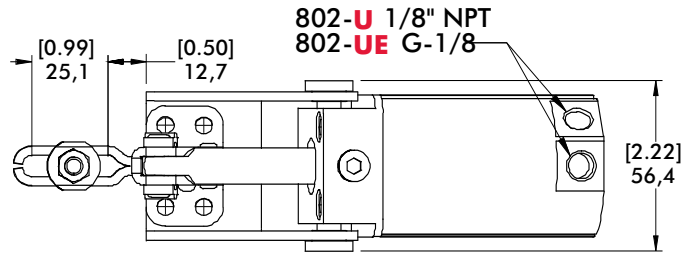
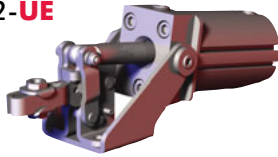
*In no case should the inlet pressure be high enough to create an exerting force that exceeds the clamps' holding capacity.

Sensor Accessories	Item Number
Round Reed Switch with Quick Disconnect	810169
T-slot Reed Switch with Quick Disconnect	8EA-109-1
Quick Disconnect 2M Extension Cable	CABL-010
Quick Disconnect 5M Extension Cable	CABL-013

See Pneumatic Accessories section for more options

Series 802 Standard Clamp Dimensions
-U/-UE

▲ 802-U
■ 802-UE



mm [INCH]
THIRD ANGLE PROJECTION