

Series 8007 Product Overview

Features:

- Hardened pins and bushing at all pivot points for long life cycle
- Solid clamping bar may be modified to suit application requirements
- Sensor ready for round or T-slot style sensors

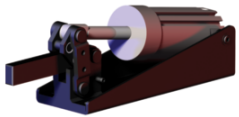
Applications:

- Assembly
- Welding

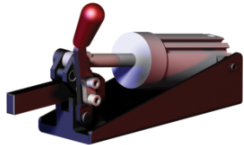
Also Available:

See page 13.1 for sensing options

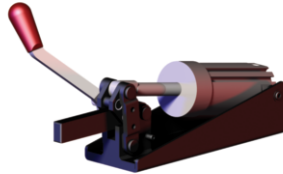
8007-E



8007-EHL



8007-EHR



Series 8007 Technical Information, Holding Capacities

Model	Maximum Holding Capacity		Max. Exerting Force @ 5bar [72PSI]		Weight	Port Size
	Inner	Outer	Inner	Outer		
8007-E					1,6kg [3.53lb]	G-1/8
8007-EHL	[830 lbf] 3700 N	[405 lbf] 1800 N	[606 lbf] 2700 N	[405 lbf] 1800 N	1,7kg [3.75lb]	
8007-EHR						

See Technical Appendix Section for details.

**Max Cylinder Pressure:** 10bar [145psig]\*

**Max Operating Temp:** -10°C to 90°C [-14°F to 194°F]

\*In no case should the inlet pressure be high enough to create an exerting force that exceed's the clamps' holding capacity.

**Sensor Accessories**

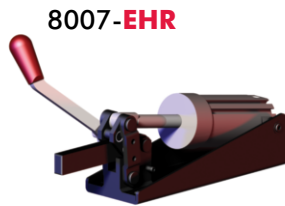
- Round Reed Switch with Quick Disconnect
- T-slot Reed Switch with Quick Disconnect
- Quick Disconnect 2M Extension Cable
- Quick Disconnect 5M Extension Cable

**Item Number**

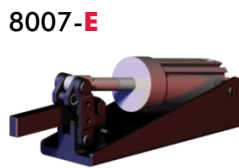
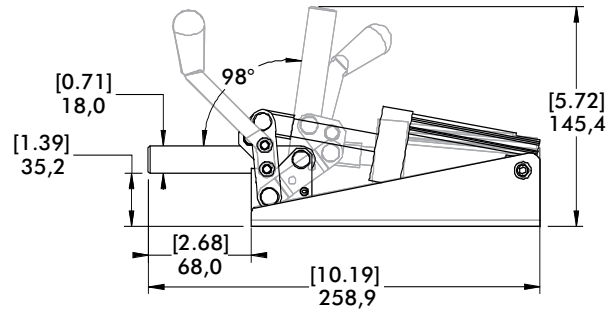
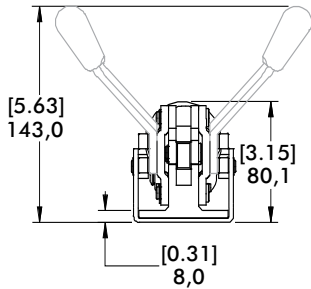
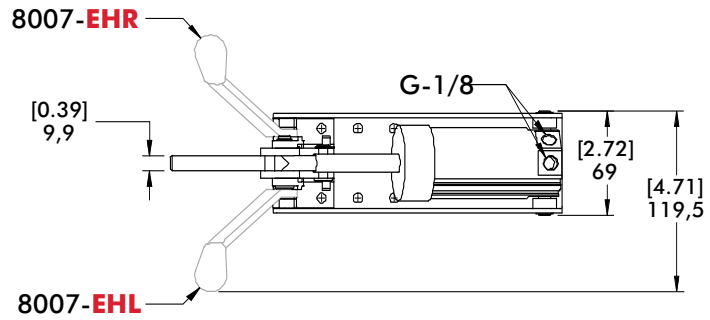
- 810169
- 8EA-109-1
- CABL-010
- CABL-013

See Pneumatic Accessories section for more options

Series 8007 Standard Clamp Dimensions  
-E/-EHL/-EHR



8007-EHR



8007-E

