

Series 670, 675, 690, 695 Product Overview

Features:

- Precision clamping for high production
- Adjustable collet-type bushing minimizes radial plunger movement
- Plunger has a flat surface for anti rotation
- Pre-load nut and hold open device included

Applications:

- Assembly
- Welding

670-1MBPLS



675-1MBPLS



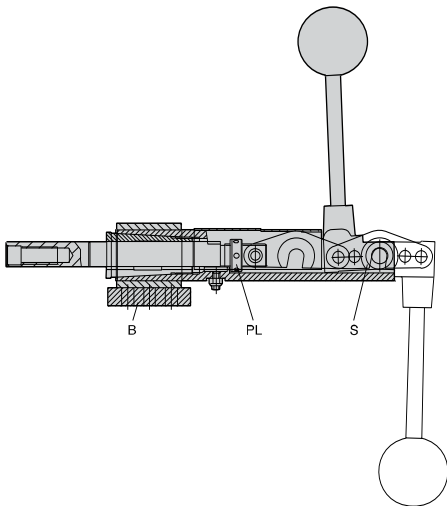
690-1MBPLS



695-1MBPLS ⓘ



Series 670, 675, 690, 695 Technical Information, Holding Capacities



Model	Max. Holding Capacity	Weight	Plunger Travel	Plunger Thread
670-1MBPLS	[2400 lbf] 10680 N	[4.2lb] 1,91 kg	[2.25] 57,2	M12
675-1MBPLS		[4.0lb] 1,81 kg	[1.10] 28	
690-1MBPLS	[5000 lbf] 22240 N	[8.2lb] 3,72kg	[3.00] 76,2	M16
695-1MBPLS ⓘ		[7.2lb] 3,27kg	[1.50] 38,1	

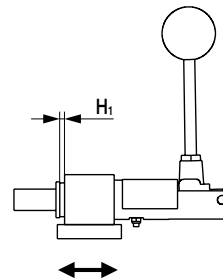
ⓘ This item is available upon request

The unique feature of these clamps is the collet-type bushing that can be adjusted to eliminate plunger end movement after long repeated use. The plunger also has a flat which prevents lateral movement and allows offset piloting and holding. The plunger is drilled and tapped for threaded spindles or custom fixturing.

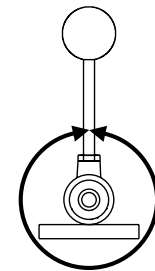
The adjustable pre-load nut (PL) can be used to lock the clamp against itself when not under pressure and therefore prevent opening when mounted vertically. The spring hold-open device (S) prevents the clamp from accidentally closing.

The mounting base (B) is supplied disassembled with the four models, to enable welding the base and the main assembly in any handle position.

Series 675 and 695 (shorter stroke) reach the over-center position only when clamping. Series 670 and 690 (longer stroke) lock in both the extended and retracted position.

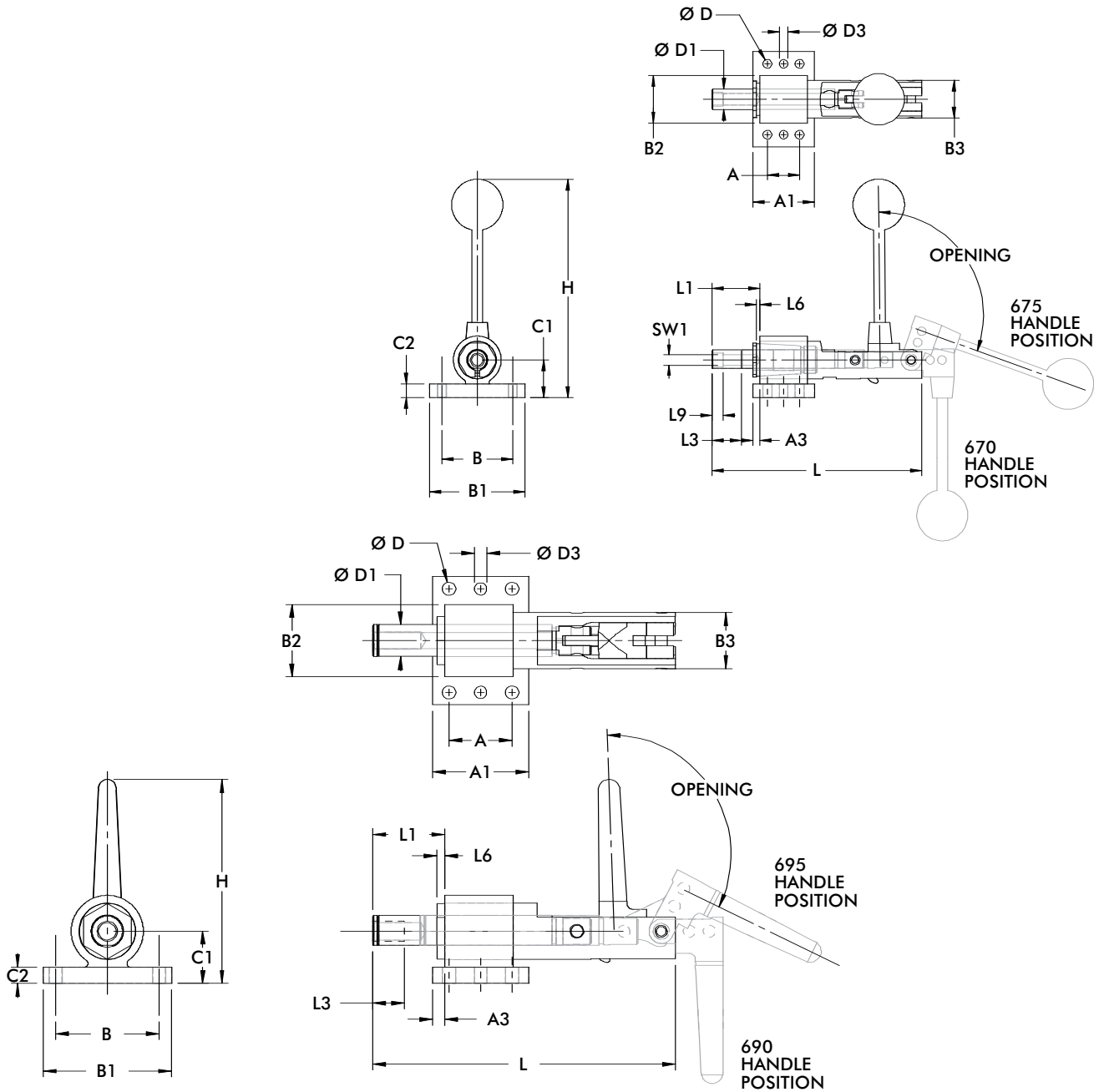


Welding range  
H<sub>1</sub> axial 0-8mm



Welding range  
radial 360°

Series 670, 675, 690, 695 Standard Clamp Dimensions



Model	A	A1	A3	B	B1	B2	B3	C1	C2	ØD	ØD1	ØD3	H	L	L1	L3
670-1MBPLS	[1.18]	[2.24]	[0.25]	[2.60]	[3.50]	[1.75]	[1.38]	[1.37]		[0.33]	[0.75]	[0.31]	[8.11]	[10.55]	[2.97]	[1.38]
675-1MBPLS	30	57	6.4	66	89	44.5	35	34.8		8.4	19	7.8	206	[7.68]	[1.74]	35
690-1MBPLS									[0.50]					195	44.4	
695-1MBPLS	[1.97]	[3.0]	[0.37]	[3.23]	[4.02]	-	[1.75]	[1.63]		[0.41]	[0.98]	[0.39]	[6.37]	[13.31]	[3.69]	[0.98]
	50	76.2	9.5	82	102		44.4	41.3		10.5	25	9.8	162	[9.45]	[3.69]	25
														240	93.7	

Model	L6	L9	SW1
670-1MBPLS		[0.41]	13H
675-1MBPLS		10.3	7
690-1MBPLS	0-8		
695-1MBPLS		-	-