



Series 330, 351, 371, 381 Product Overview

Features:

- J-hook style latch clamps are supplied with threaded J-hooks for easy adjustment
- Supplied with patented thumb control lever for one handed operation
- DE-STA-CO® Toggle Lock Plus versions available
- Stainless steel version available as **-SS** models

Applications:

- Molding
- Closures for doors, lids, covers
- Assembly

Also Available:

- Clamps with longer hooks available Upon Request that are 25mm, 50mm, 100mm longer than standard length
- To order clamp with longer hook, add **-M-25**, **-M-50**, or **-M-100** to the end of the model. Example: 330-**M-50**

Covered under one year or more U.S./International Patents

330
330-SS



351
351-SS



351-B
351-BSS
Narrow Base



351-R
with
DE-STA-CO®
Toggle Lock
Plus



371
371-SS



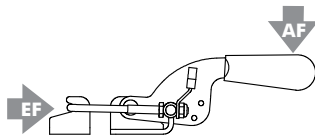
371-R
with DE-STA-CO®
Toggle Lock
Plus



381
381-SS



Series 330, 351, 371, 381 Technical Information, Holding Capacities



Model	Max. Holding Capacity	Weight	EF:AF	Drawing Movement	Replacement Hook Assembly	Hook Adj. Range
330	900 N [200 lbf]	0,11kg [0.24lb]	17:1	59,7 [2.35]	330215	7.4 [0.29]
330-SS					330915	
351	1670 N [375 lbf]	0,28kg [0.61lb]	21:1	101,6 [4.00]	351215	12.4 [0.49]
351-SS	2000 N [450 lbf]				351915	
351-B	1670 N [375 lbf]				351215	
351-BSS					351915	
351-R		0,36kg [0.8lb]			351215	
371	3340 N [750 lbf]	0,69kg [1.53lb]	36:1	136,7 [5.38]	371215	23.9 [0.94]
371-SS					371915	
371-R					0,85kg [1.88lb]	
381	4450 N [1000 lbf]	1,16kg [2.56lb]	37:1	155,7 [6.13]	381215	29.7 [1.17]
381-SS					381915	

EF = Exerting Force, AF = Applied Force

Series **330, 351, 371, 381** Standard Clamp Dimensions
 330/351/371/381/-SS/-B/-BSS

330
330-SS



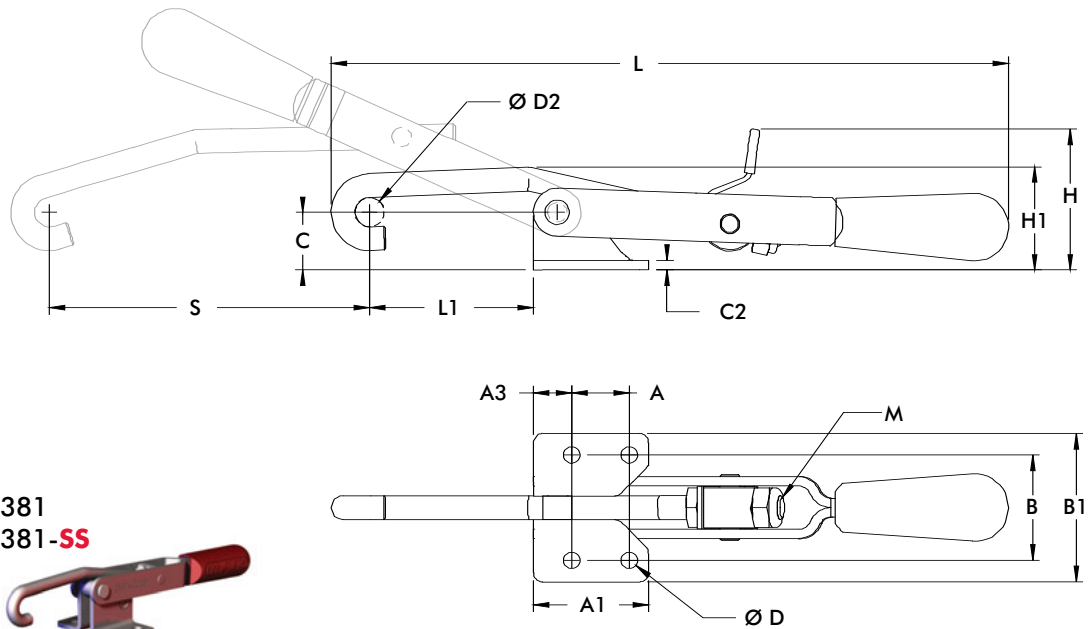
351
351-SS



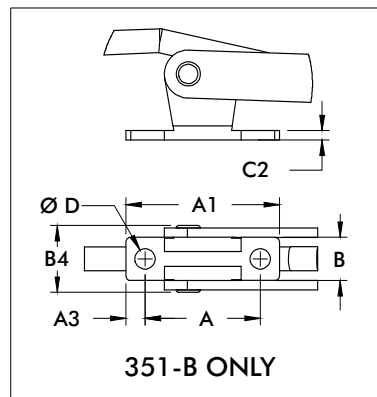
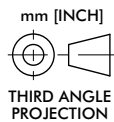
371
371-SS



381
381-SS



351-B
351-BSS
Narrow Base



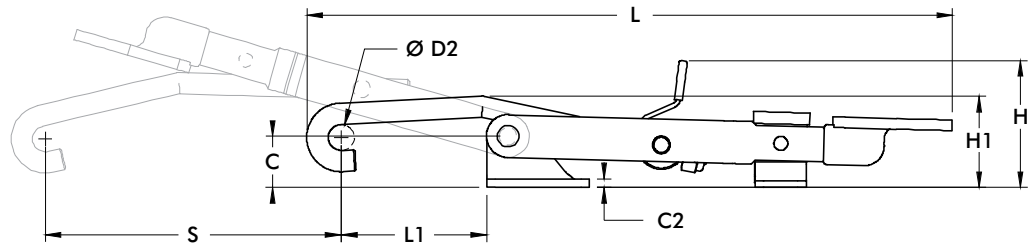
Model	A	A1	A3	B
330	[0.50] 12,7	[1.00] 25,4	[0.25] 6,4	[1.22] 30,9
330-SS				
351	[0.75] 19,1	[1.50] 38,1	[0.50] 12,7	[1.37] 34,8
351-SS				
351-B	[1.50] 38,1	[2.00] 38,1	[0.25] 6,4	[0.56] 14,3
371	[1.25] 31,8	[1.94] 49,2	[0.34] 8,7	[1.94] 49,2
371-SS				
381	[1.13] 28,6	[2.13] 54,1	[0.50] 12,7	[2.37] 60,3
381-SS				

Model	B1	B4	C	C2	ØD	ØD2	H	H1	L	L1 Max	M	S
330	[1.69] 42,9	-	[0.56] 14,2	[0.12] 3,1	[0.22] 5,6	[0.32] 8,1	[1.43] 36,2	[0.89] 22,6	[6.01] 152,7	[1.70] 43,3	M5	[2.35] 59,7
330-SS												
351	[1.93] 49,1	-	[0.75] 19,1	[0.12] 3,1	[0.22] 5,5	[0.38] 9,7	[1.83] 46,6	[1.34] 34	[8.82] 224	[2.13] 54,2	M8	[4.00] 101,6
351-SS												
351-B	-	[0.87] 22,1	[0.86] 21,8		[0.27] 6,7		[1.94] 49,3	[1.45] 36,8		[1.63] 41,4		
371	[2.63] 66,7	-	[1.42] 36,1	[0.16] 4	[0.34] 8,7	[0.50] 12,7	[2.58] 65,6	[2.23] 56,5	[11.89] 302	[2.81] 71,5	M10	[5.38] 136,7
371-SS												
381	[3.38] 85,9	-	[1.81] 46	[0.19] 4,7	[0.41] 10,3	[0.62] 15,7	[2.90] 73,6	[2.71] 68,8	[13.45] 341,7	[3.13] 79,5	M12	[6.13] 155,7
381-SS												

Series 351-R, 371-R Standard Clamp Dimensions

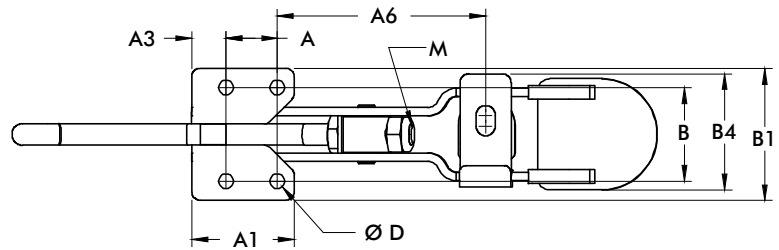
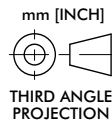
371-R

with
DE-STA-CO®
Toggle Lock
Plus



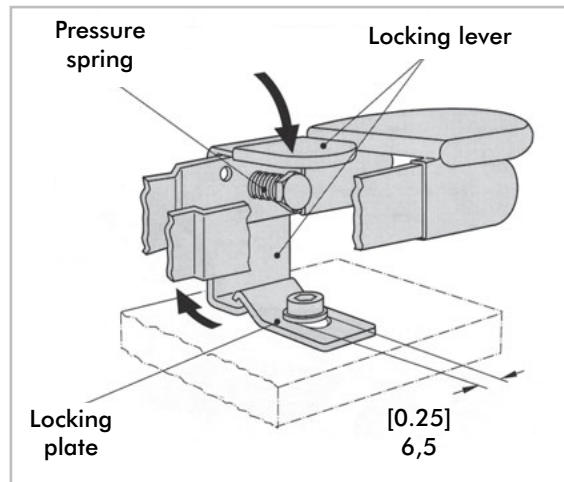
351-R

with
DE-STA-CO®
Toggle Lock
Plus



Model	A	A1	A3	A6	B	B1	B4	C	C2	ØD	H	H1
351-R	[0.75] 19,1	[1.50] 38,1	[0.50] 12,7	[3.06] 77,7	[1.37] 34,8	[1.93] 49,1	[1.70] 19,1	[0.75] 19,1	[0.12] 3,1	[0.22] 5,5	[1.85] 47,1	[1.34] 33,9
371-R	[1.25] 31,8	[1.94] 49,2	[0.34] 8,7	[4.73] 120,1	[1.94] 49,2	[2.63] 66,7	[2.25] 57,2	[1.42] 36,1	[0.16] 4	[0.34] 8,7	[2.65] 67,4	[2.22] 56,3

Model	L	L1	M	S
351-R	[9.45] 240	[2.13] 54,2	M8	[4.33] 110
371-R	[12.74] 323,6	[2.81] 71,4	M10	[5.59] 142



Model 351-R, 371-R

Information concerning the assembly and function of the clamps locking mechanism

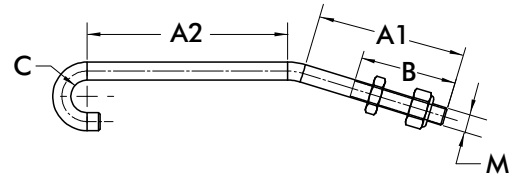
The locking plate which is supplied with the unit must be fastened with a screw (M6 or 1/4-20) as shown in this illustration. The screw head should be flat.

Function

When closing the latch clamp, the locking lever engages automatically. Actuate the locking lever to open the clamp.

Series **351-R, 371-R** Replacement Hook Assembly Standard Dimensions

Replacement Hook Assembly	A1	A2	B	C	M
330215	38,1	50,8	19,1	50,8	M5
330915	[1.50]	[2.00]	[0.75]	[2.00]	
351215	85,9	53,1	41,4	50,8	M8
351915	[3.38]	[2.09]	[1.63]	[2.00]	
371215	113,3	74,7	56,4	50,8	M10
371915	[4.46]	[2.94]	[2.22]	[2.00]	
381215	117,6	76,2	7,8	50,8	M12
381915	[4.63]	[3.00]	[0.31]	[2.00]	



Note: Hook assemblies supplied with jam nut and locknut or (2) jam nuts (330215, 330915)