

Series 375 Product Overview

Features:

- Heavy duty U-hook style latch clamps are supplied with threaded U-hooks for easy adjustment
- Supplied patented thumb control lever for one handed operation
- DE-STA-CO® Toggle Lock Plus versions available

Applications:

- Molding
- Closures for doors, lids, covers
- Assembly

Also Available:

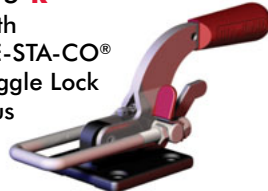
- Clamps with longer hooks available Upon Request that are 25mm, 50mm, 100mm longer than standard length
- To order clamp with longer hook, add **-M-25**, **-M-50**, or **-M-100** to the end of the model. Example: 375-**M-50**

Covered under one year or more U.S./International Patents

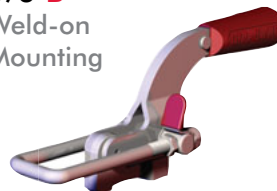
375



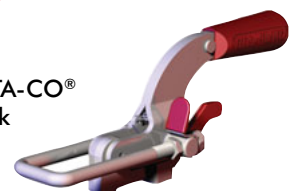
**375-R**  
with  
DE-STA-CO®  
Toggle Lock  
Plus



**375-B**  
Weld-on  
Mounting



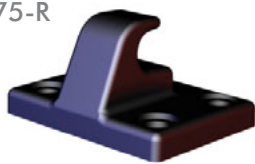
**375-BR** ⓘ  
Weld-on  
Mounting  
with DE-STA-CO®  
Toggle Lock  
Plus



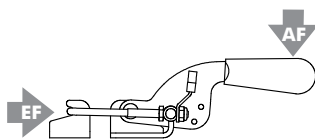
375509  
Cleat



385102  
Optional  
Latch Plate  
for 375, 375-R



Series 375 Technical Information, Holding Capacities



Model	Max. Holding Capacity	Weight	EF:AF	Drawing Movement	Latch Plate	Replacement Hook Assembly	Hook Adj. Range
<b>375</b>		[2.94lb] 1,33kg					
<b>375-R</b>	[4000 lbf] 17800 N	[3.0lb] 1,36kg	44:1	88,9 [3.50]	385102 (Optional)	375215	22.1 [0.87]
<b>375-B</b>		[2.56lb] 1,16kg			375509 (Optional)		
<b>375-BR</b> ⓘ		[2.62lb] 1,19kg					

ⓘ This item is available upon request **EF** = Exerting Force, **AF** = Applied Force

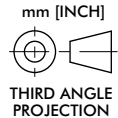
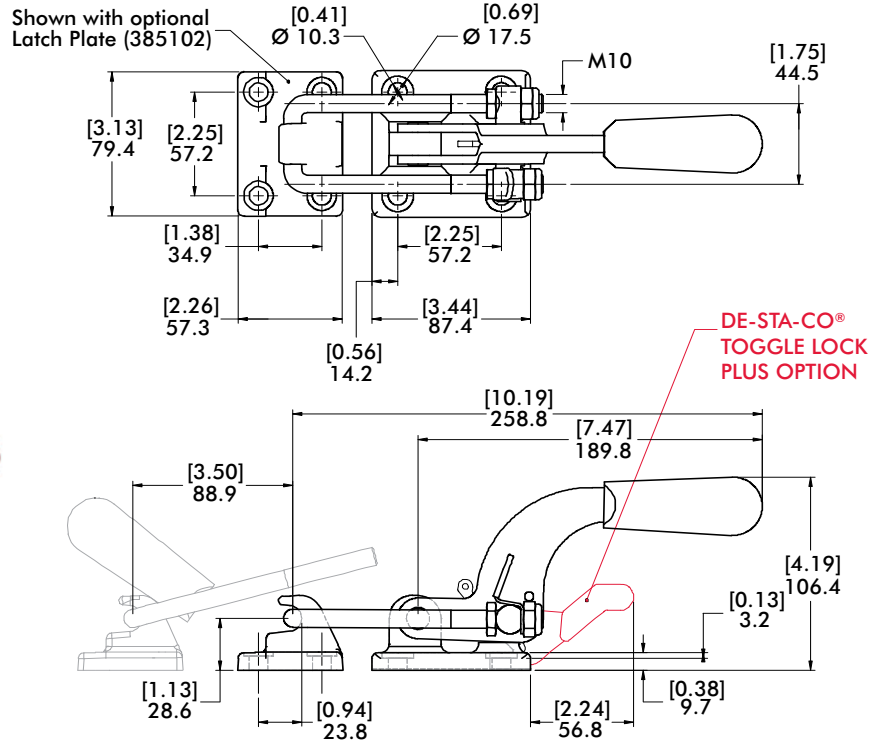
Series **375**, **375-R** Standard Clamp Dimensions

375



375-R

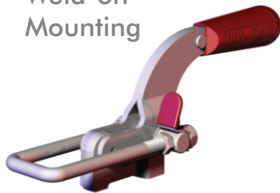
with  
DE-STA-CO®  
Toggle Lock  
Plus



Series **375-B**, **375-BR** Standard Clamp Dimensions

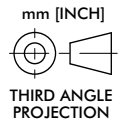
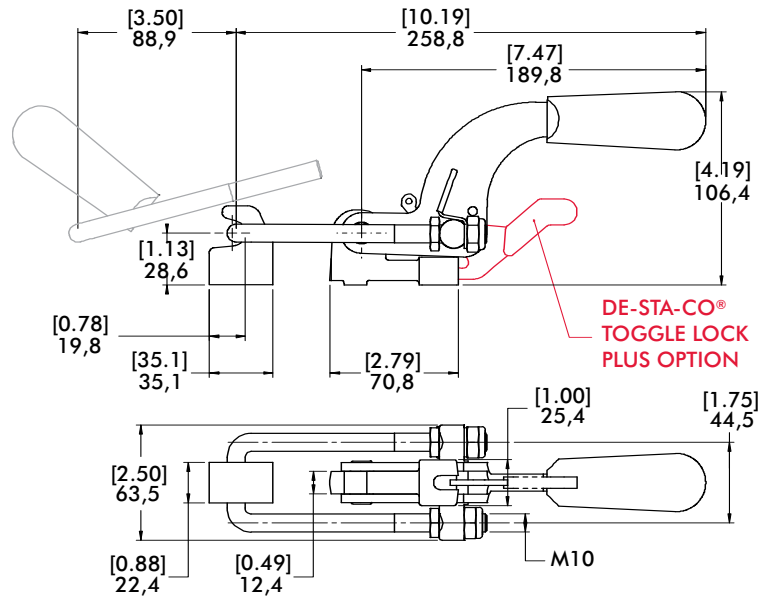
375-B

Weld-on  
Mounting



375-BR®

Weld-on  
Mounting  
with DE-STA-CO®  
Toggle Lock  
Plus



Replacement Hook Assembly	A	B	C	M
<b>375204</b>	133 [5.24]	50,8 [2.00]	41,4 [1.63]	M10

