

## Series 323, 331, 341 Product Overview

### Features:

- U-hook style latch clamps are supplied with threaded U-hooks for easy adjustment
- Supplied with latch plate and patented thumb control lever for one handed operation
- DE-STA-CO® Toggle Lock Plus versions available
- Stainless steel version available as **-SS** models

### Applications:

- Molding
- Closures for doors, lids, covers
- Assembly

### Also Available:

- Clamps with longer hooks available Upon Request that are 25mm, 50mm, 100mm longer than standard length
- To order clamp with longer hook, add **-M-25**, **-M-50**, or **-M-100** to the end of the model. Example: 323-**M-50**

Covered under one year or more U.S./International Patents

**323**  
**323-SS**



**323-R**  
**323-RSS**  
with DE-STA-CO®  
Toggle Lock  
Plus



**331**  
**331-SS**



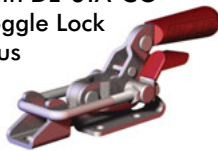
**331-R**  
**331-RSS**  
with  
DE-STA-CO®  
Toggle Lock  
Plus



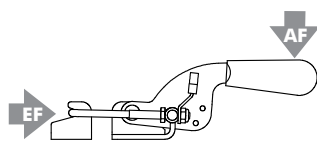
**341**  
**341-SS**



**341-R**  
**341-RSS**  
with DE-STA-CO®  
Toggle Lock  
Plus



## Series 323, 331, 341 Technical Information, Holding Capacities

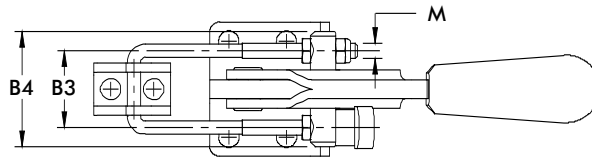


Model	Max. Holding Capacity	Weight	EF:AF	Drawing Movement	Latch Plate (Supplied)	Replacement Hook Assembly	Hook Adj. Range
<b>323</b>				30	323104-M	323215	
<b>323-SS</b>	1600 N [360 lbf]	0,07kg [0.15lb]	27:1	[1.18]	323104-MSS	323915	10.7
<b>323-R</b>				29,7	323104-M	323215	[0.42]
<b>323-RSS</b>				[1.17]	323104-MSS	323915	
<b>331</b>					331005	331215	
<b>331-SS</b>	3200 N [720 lbf]	0,25kg [0.56lb]	32:1	44,5	331905	331915	22.1
<b>331-R</b>				[1.75]	331005	331215	[0.87]
<b>331-RSS</b>					331905	331915	
<b>341</b>					341005	341215	
<b>341-SS</b>	8900 N [2000 lbf]	0,65kg [1.43lb]	29:1	63,5	341905	341915	24.6
<b>341-R</b>				[2.50]	341005	341215	[0.97]
<b>341-RSS</b>					341905	341915	

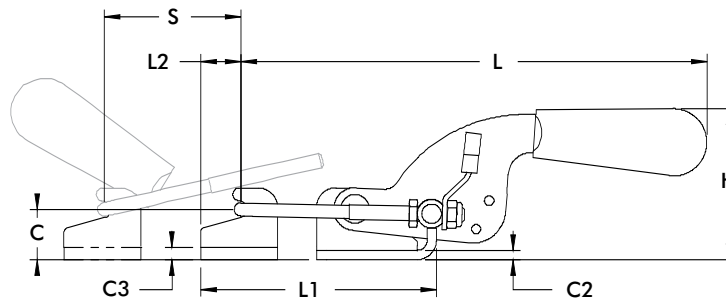
EF = Exerting Force, AF = Applied Force

Series **323, 323-R, 331, 341** Standard Clamp Dimensions  
 323/331/341/-SS/-R/-RSS

**323**  
**323-SS**



**323-R**  
**323-RSS**  
 with DE-STA-CO®  
 Toggle Lock  
 Plus



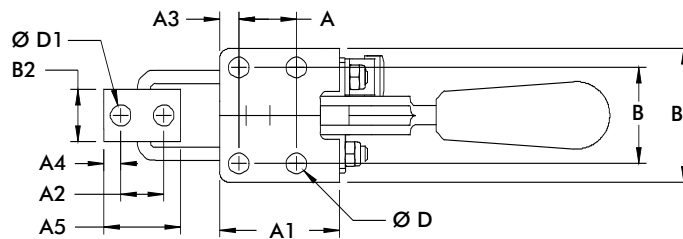
**331**  
**331-SS**



**341**  
**341-SS**



mm [INCH]  
  
 THIRD ANGLE  
 PROJECTION

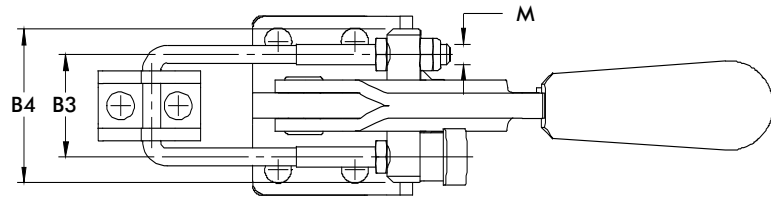


Model	A	A1	A2	A3	A4	A5	B	B1	B2	B3	B4	C	C2
<b>323</b>													
<b>323-SS</b>	[0.63]	[1.02]	[0.39]	[0.20]	[0.24]	[0.79]	[0.75]	[1.10]	[0.52]	[0.75]	[1.10]	[0.47]	[0.08]
<b>323-R</b>	16	26	10	5	6	20	19	28	13,2	19,1	28	12	2
<b>323-RSS</b>													
<b>331</b>													
<b>331-SS</b>	[0.75]	[1.56]	[0.56]	[0.25]	[0.22]	[1.00]	[1.25]	[1.74]	[0.68]	[1.00]	[1.50]	[0.66]	[0.12]
<b>331</b>	19,1	39,7	14,3	6,4	5,6	25,4	31,8	44,3	17,3	25,4	38,1	16,7	3,1
<b>341</b>													
<b>341-SS</b>	[1.63]	[2.38]	[0.75]	[0.38]	[0.38]	[1.50]	[1.50]	[2.12]	[1.19]	[1.75]	[2.38]	[0.94]	[0.16]
<b>341</b>	41.5	60.5	19.1	9.7	9.5	38.1	38.1	53.8	30.1	44.5	60.5	23.8	4

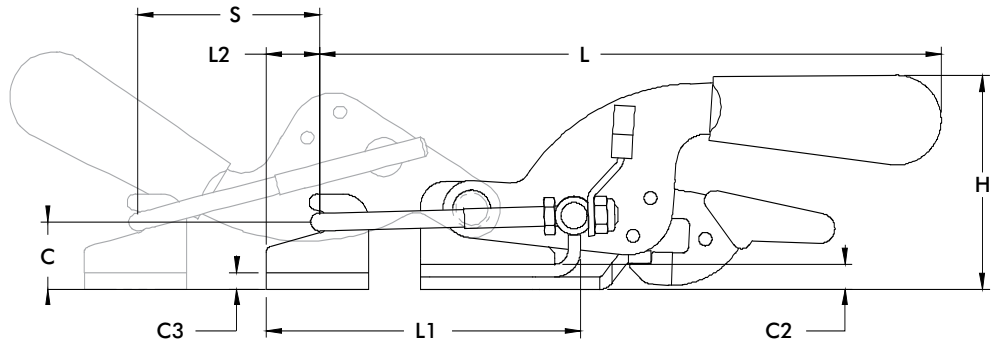
Model	C3	ØD	ØD2	H	L	L1 MAX	L2	M	S
<b>323</b>									
<b>323-SS</b>	[0.08]	[0.17]	[0.17]	[1.19]	[3.88]	[2.23]	[0.37]	M4	[1.18]
<b>323-R</b>	2	4,2	4,2	30,3	98,6	56,6	9,3	M4	30
<b>323-RSS</b>									
<b>331</b>									
<b>331-SS</b>	[0.12]	[0.27]	[0.27]	[1.97]	[6.07]	[3.07]	[0.52]	M5	[1.75]
<b>331</b>	3,1	6,7	6,9	50	154,2	78	13,3	M5	45,5
<b>341</b>									
<b>341-SS</b>	[0.16]	[0.33]	[0.33]	[2.89]	[8.20]	[4.59]	[0.75]	M8	[2.50]
<b>341</b>	4	8,5	8,5	73,4	208,3	116,6	19,1	M8	63,5

Series **331-R**, **341-R** Standard Clamp Dimensions  
-R/-RSS

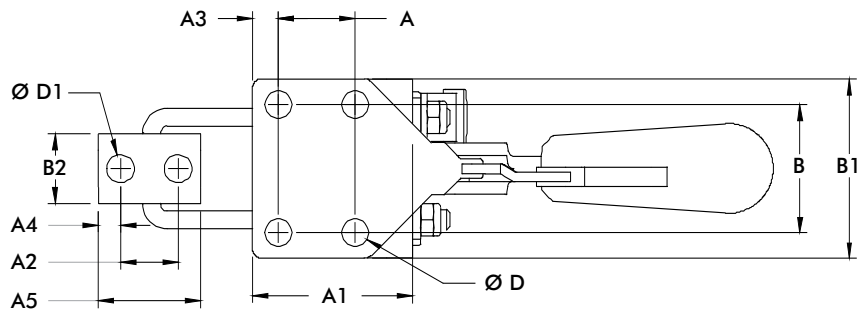
**331-R**  
**331-RSS**  
with  
DE-STA-CO®  
Toggle Lock  
Plus



**341-R**  
**341-RSS**  
with DE-STA-CO®  
Toggle Lock  
Plus



mm [INCH]  
THIRD ANGLE  
PROJECTION

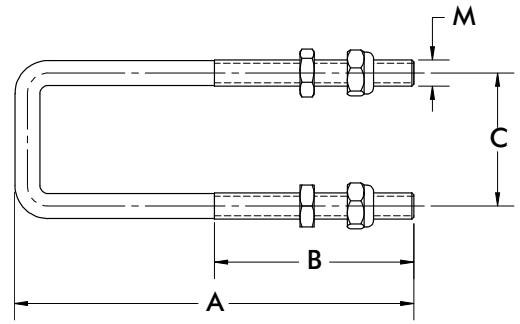


Model	A	A1	A2	A3	A4	A5	B	B1	B2	B3	B4	C	C2
<b>331-R</b>	[0.75]	[1.56]	[0.56]	[0.25]	[0.22]	[1.00]	[1.25]	[1.74]	[0.68]	[1.00]	[1.50]	[0.66]	[0.12]
<b>331-RSS</b>	19,1	39,7	14,3	6,4	5,6	25,4	31,8	44,3	17,3	25,4	38,1	16,7	3,1
<b>341-R</b>	[1.63]	[2.38]	[0.75]	[0.38]	[0.38]	[1.50]	[1.50]	[2.12]	[1.19]	[1.75]	[2.38]	[0.94]	[0.16]
<b>341-RSS</b>	41,5	60,5	19,1	9,7	9,5	38,1	38,1	53,8	30,1	44,5	60,5	23,8	4

Model	C3	ØD	ØD2	H	L	L1 MAX	L2	M	S
<b>331-R</b>	[0.12]	[0.27]	[0.27]	[2.01]	[6.07]	[3.07]	[0.52]		[1.75]
<b>331-RSS</b>	3,1	6,7	6,9	53,1	154,2	78	13,3	M5	45,5
<b>341-R</b>	[0.16]	[0.33]	[0.33]	[2.89]	[8.20]	[5.24]	[0.77]		[2.50]
<b>341-RSS</b>	4	8,5	8,5	73,4	208,3	133,2	19,4	M8	63.5

Series **323, 331, 341** Replacement Hook Assembly Standard Dimensions

Replacement Hook Assembly	A	B	C	M
<b>323215</b>	53,8 [2.12]	23,8 [0.94]	19,1 [0.75]	M4
<b>323915</b>				
<b>331215</b>	76,2 [3.00]	38,1 [1.50]	25,4 [1.00]	M5
<b>331915</b>				
<b>341215</b>	109,5 [4.31]	50 [1.97]	44,5 [1.75]	M8
<b>341915</b>				



Hook assemblies are supplied with (2) jam nuts and (2) locknuts.