

Series 301, 311 Product Overview

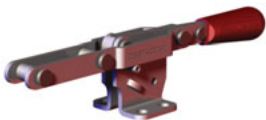
Features:

- Fixed stop automatically limits handle travel at various clamping positions once the clamp is installed
- Model 301 available in stainless steel as 301-SS

Applications:

- Molding
- Closures for doors, lids, covers
- Assembly

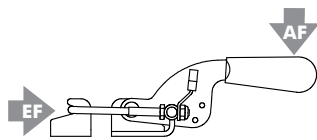
301
301-SS



311

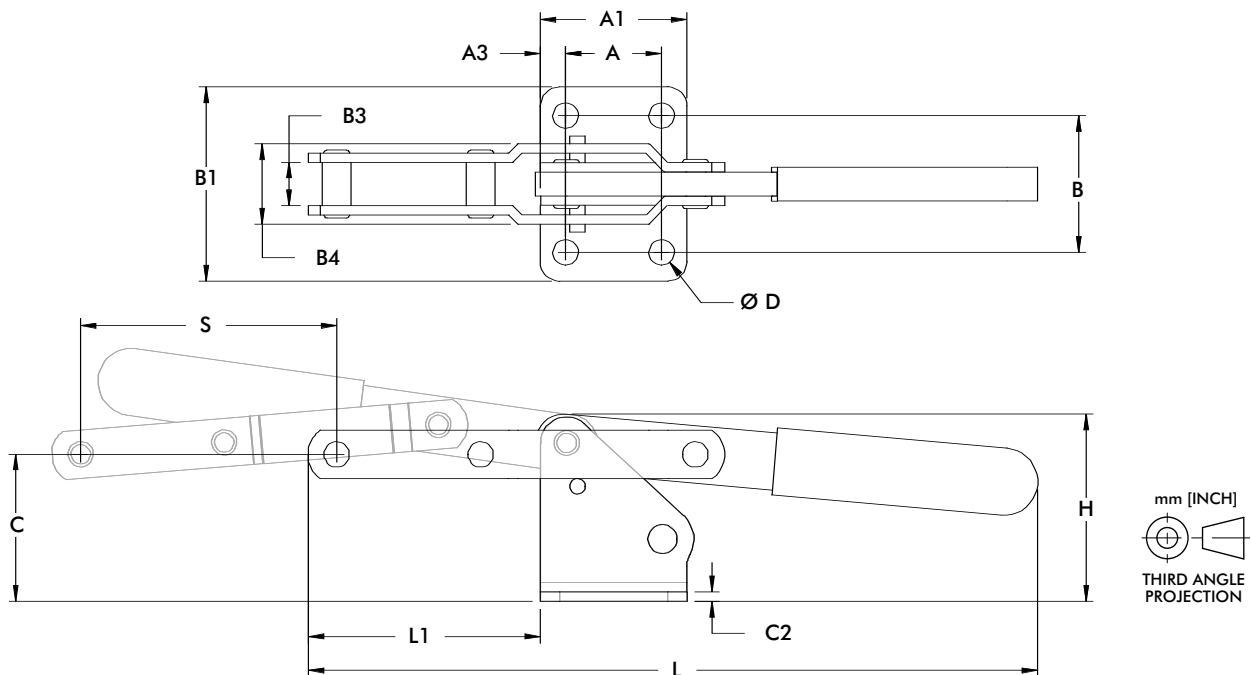


Series 301, 311 Technical Information, Holding Capacities, Standard Clamp Dimensions



Model	Max. Holding Capacity	Weight	EF:AF	Drawing Movement
301	1670 N [375 lbf]	0,32kg [0.70lb]	29:1	101,6 [4.00]
301-SS	2000 N [450 lbf]			
311	5340 N [1200 lbf]	0,53kg [1.16lb]	31:1	85,9 [3.38]

EF = Exerting Force, AF = Applied Force



Model	A	A1	A3	B	B1	B3	B4	C	C2	ØD	H	L	L1	S
301	[0.75]	[1.38]	[0.32]	[1.25]	[1.75]	[0.56]	[1.04]	[1.52]	[0.12]	[0.28]	[1.91]	[8.33]	[3.04]	[4.00]
301-SS	19,1	35,1	8	31,8	44,5	14,1	26,4	38,6	3,1	7,1	48,4	211,5	77,1	101,6
311	[1.25]	[1.91]	[0.33]	[1.78]	[2.53]	[0.56]	[1.05]	[1.91]	[0.12]	[0.33]	[2.44]	[9.49]	[3.02]	[3.88]
	31,8	48,4	8,3	45,2	64,3	14,3	26,6	48,6	3,1	8,4	61,9	241,2	76,7	85,9